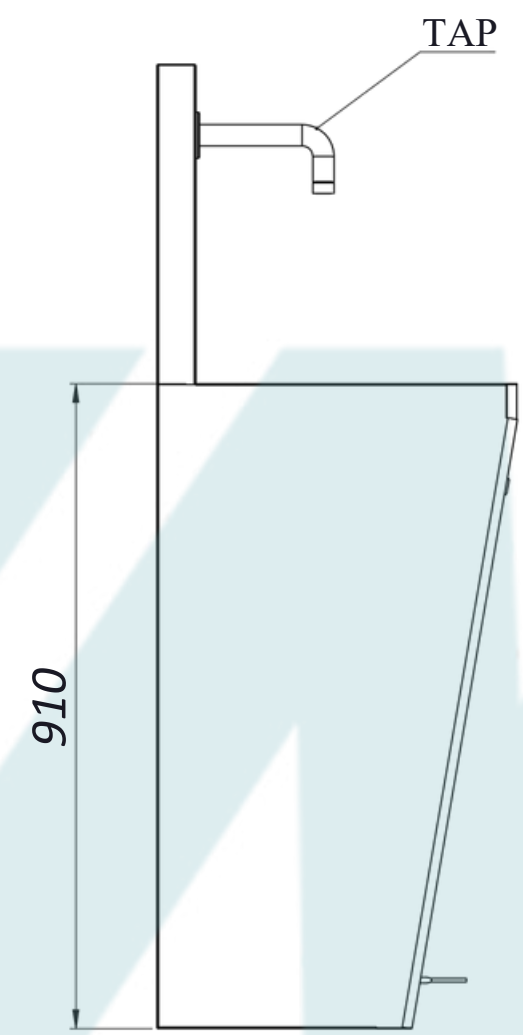
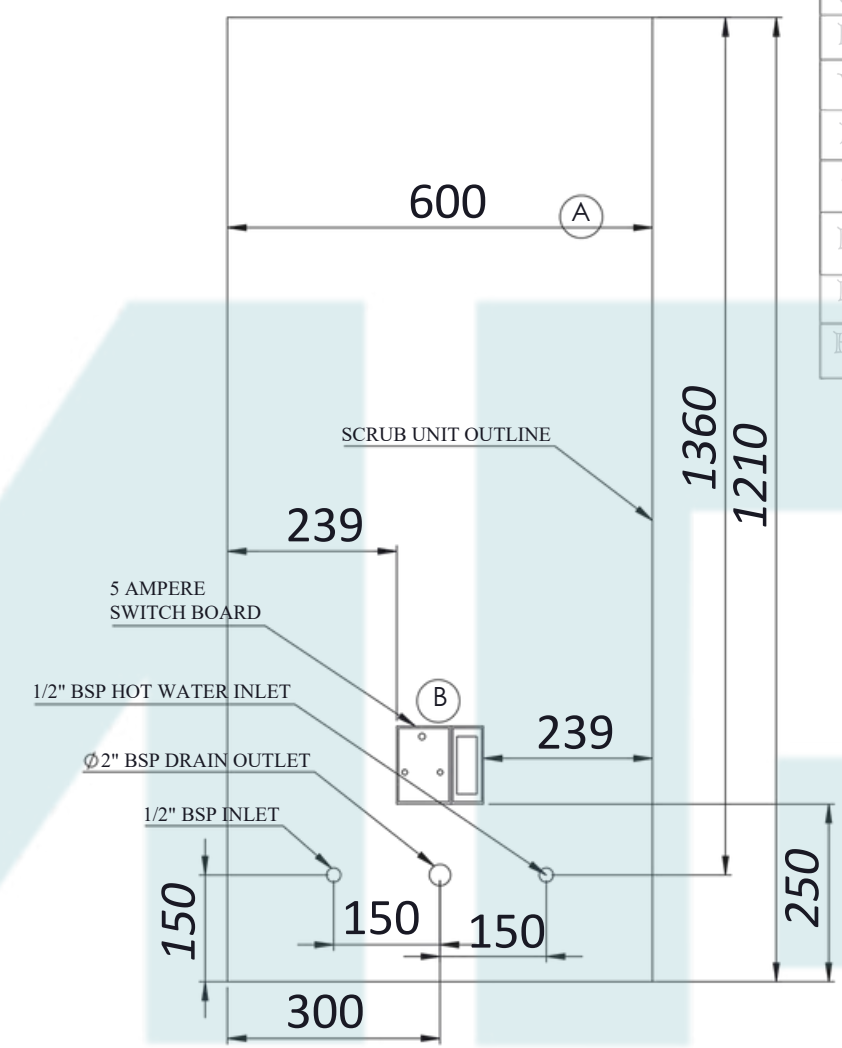


FRONT VIEW

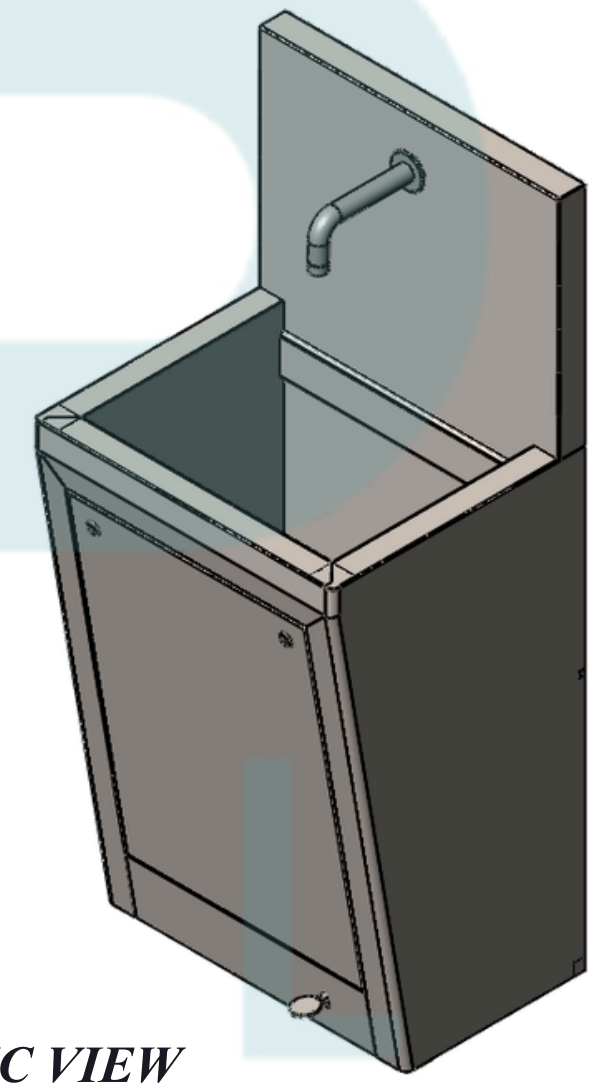


SIDE VIEW

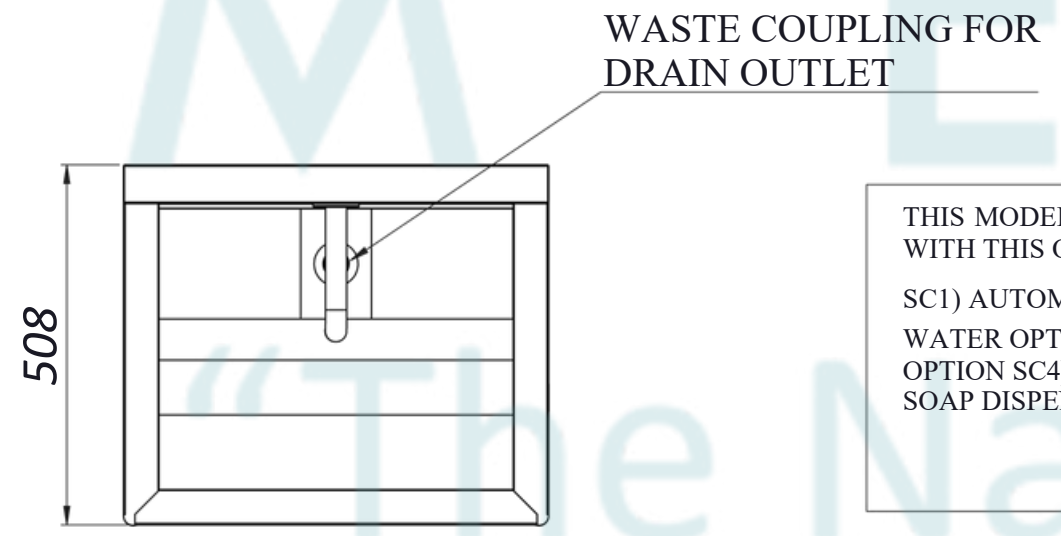


WALL PLUMBING DIAGRAM

FEATURES:-
FOOT OPERATE SYSTEMS ARRANGEMENT
MATERIAL S.S 304-1.2 THICKNESS
PERFECT MATT & NO FINISHING
SINK SPOUT TAPS&FOOT TAPS(PREEMATIC)
QTY 1+1 NO BRAND - JAGUAR
PLUMBING MATERIAL - ASTRAL CPVC
WASTE COUPLING FOR COLLAPSIBLE PIPE
DOOR LOCK QTY 2 & KEY QTY 1 NOS
TOTAL PRODUCT 1-YEAR WARRANTY
EASY TO CLEAN SURFACE
RUST PROOF MATERIAL
EASY TO INSTALL & LONG LIFE



ISOMETRIC VIEW



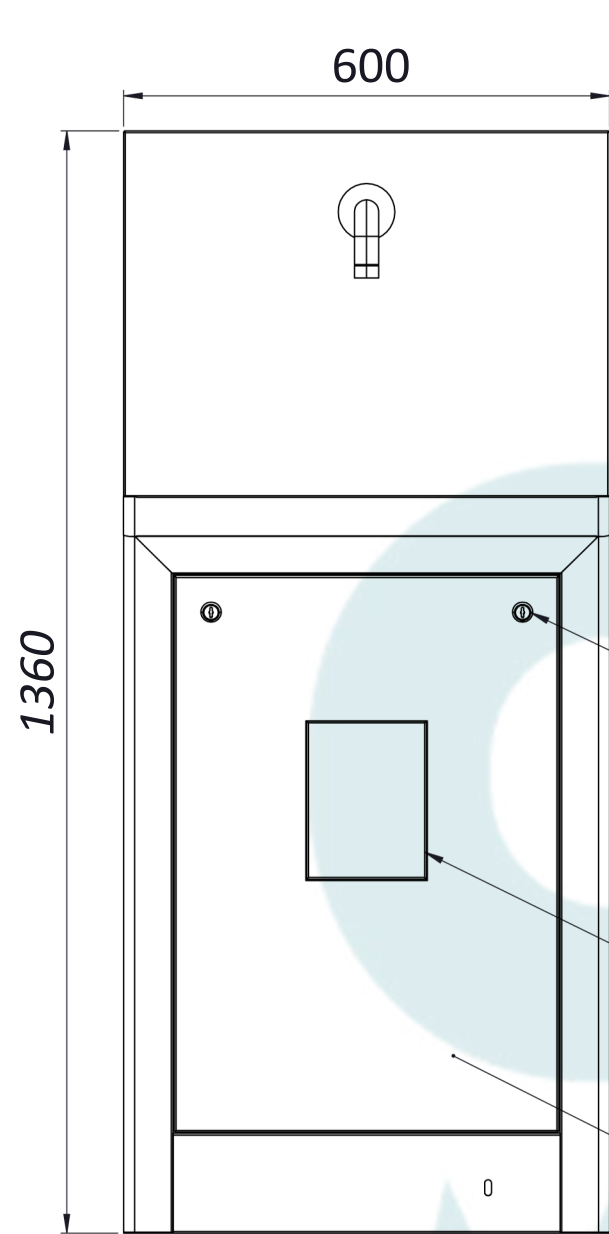
TOP VIEW

THIS MODEL CAN ALSO BE SUPPLIED WITH ADDITIONAL FEATURES ALONG WITH THIS OPTION:-
 SC1) AUTOMATIC SENSOR OPTION SC2) HOT & COOL WATER OPTION SC3) SOAP DISPENSER ELBOW OPTION SC4) SOAP DISPENSER FOOT OPTION SC6) SOAP DISPENSER AUTOMATIC SENSOR OPTION

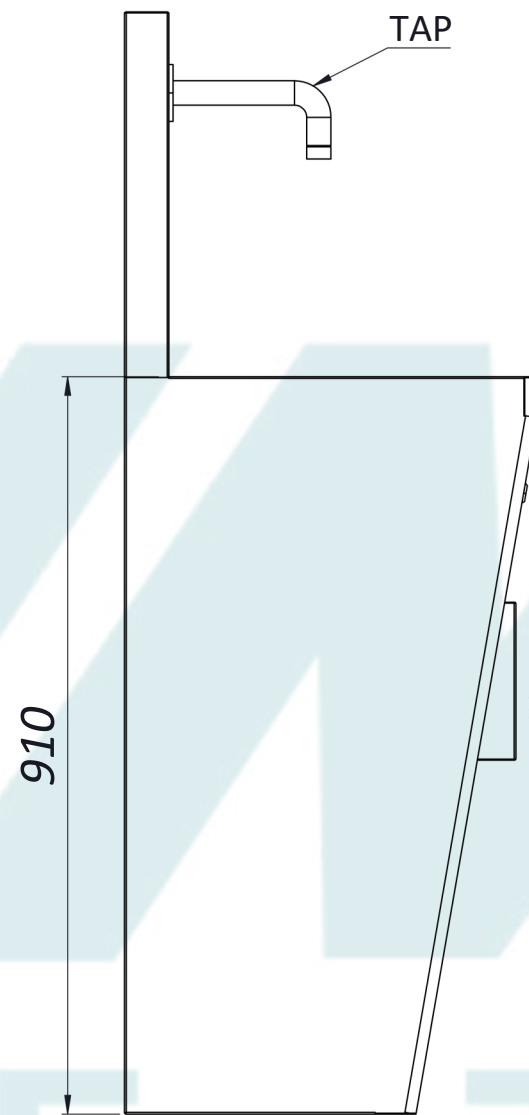
NOTE:- WALL PLUMBING DIAGRAM
 1. IN CASE OF HOT & COOL WATER CONNECTION, DIMENSIONS MARKED AS (A) WILL BE APPLICABLE.
 2. IN CASE OF SENSOR CONNECTION, DIMENSIONS MARKED AS (B) WILL BE APPLICABLE.

		CMP METAL	
DRN	SUNIL	DATE	
CHD	HJAY		
APPD	SUNIL	CMP1SSMF-1	
SCALE	1:1	TITLE: 1BAY SCRUB SINK WITH MANUAL FOOT OPERATE SIZE 600W X508DX1360H	
ALL DIMENSIONS IN MM		DRG.NO:-	SHEET NO
FIRST ANGLE		CMP-501	1 OF 1
			REV.
			0

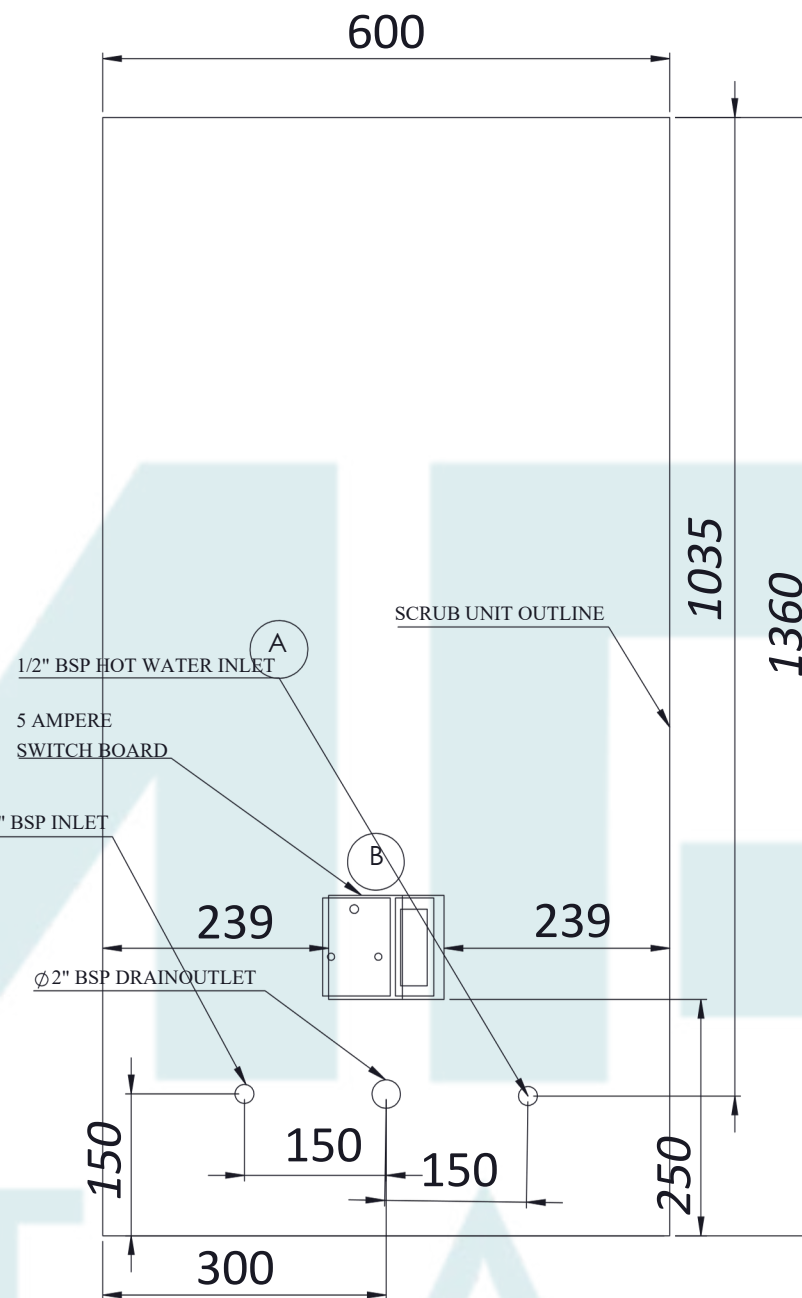
Features:-
Knee Operate Systems Arrangement
Material S.S 304-1.2 THICKNESS
Perfect Matt 4 no finishing
Sink Spout Taps & Kneetaps (Preumatic) Qty 1+1 no
Brand-Jaguar Plumbing Material Brand-Astral CPVC
Waste Coupling for Collapsible Pipe Door Lock Qty 2
& Key Qty 1 nos Total product 1-year warranty Easy to clean surface Rust proof material Easy to install & Longlife



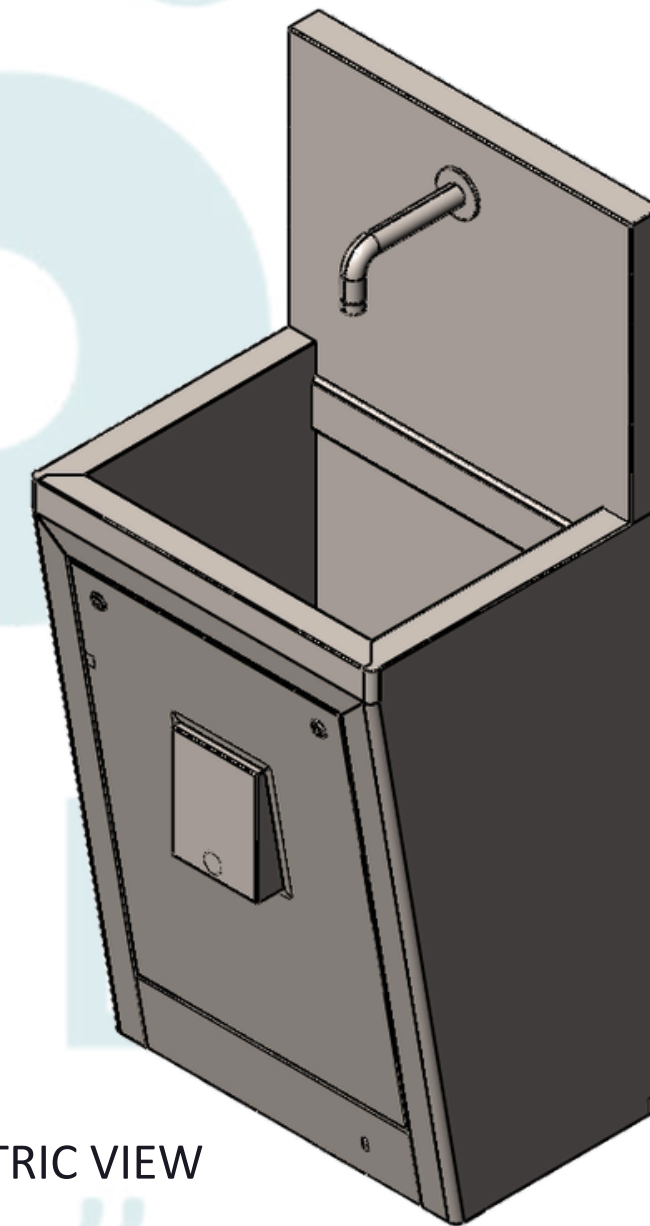
FRONT VIEW



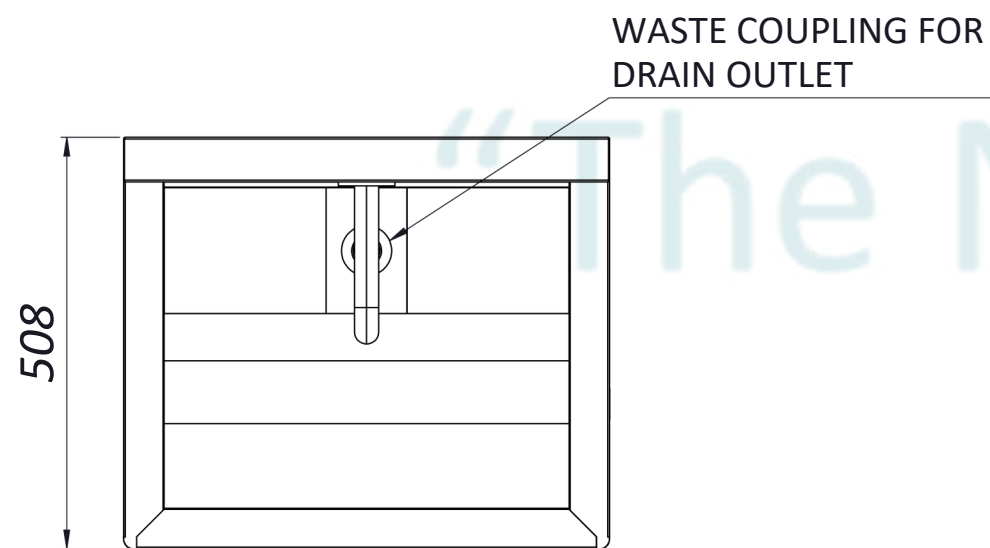
SIDE VIEW



WALL PLUMBING DIAGRAM



ISOMETRIC VIEW



TOP VIEW

THIS MODEL CAN ALSO BE SUPPLIED WITH ADDITIONAL FEATURES ALONG WITH THIS OPTION:-

SC1) AUTOMATIC SENSOR OPTION SC2) HOT & COOL WATER OPTION SC3) SOAP DISPENSER ELBOW OPTION SC5) SOAP DISPENSER KNEE OPTION SC6) SOAP DISPENSER AUTOMATIC SENSOR OPTION

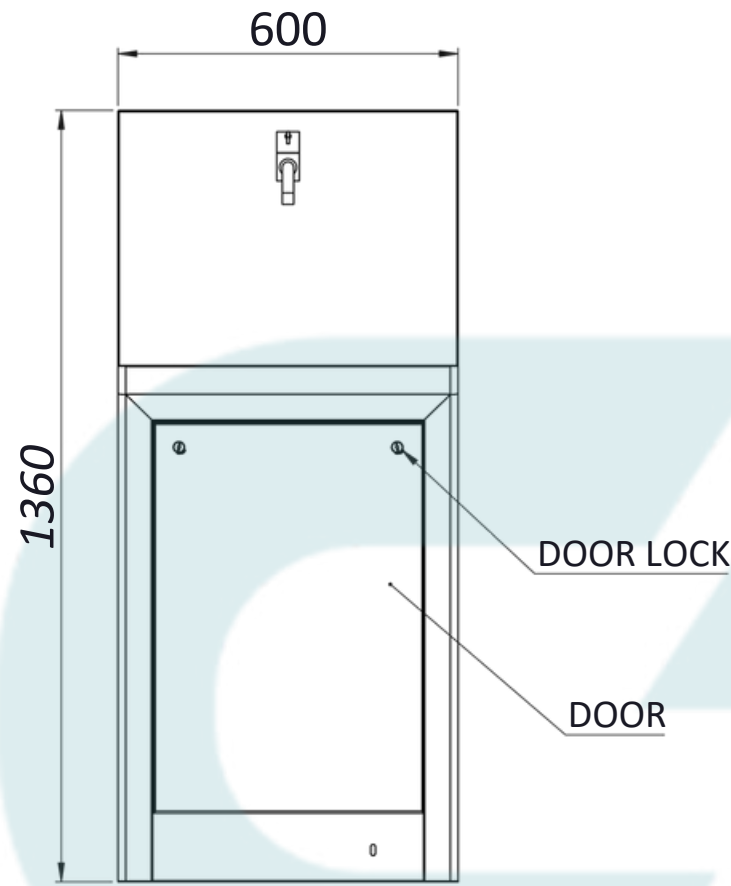
NOTE:- WALL PLUMBING DIAGRAM

1. IN CASE OF HOT & COOL WATER CONNECTION, DIMENSIONS MARKED AS (A) WILL BE APPLICABLE.

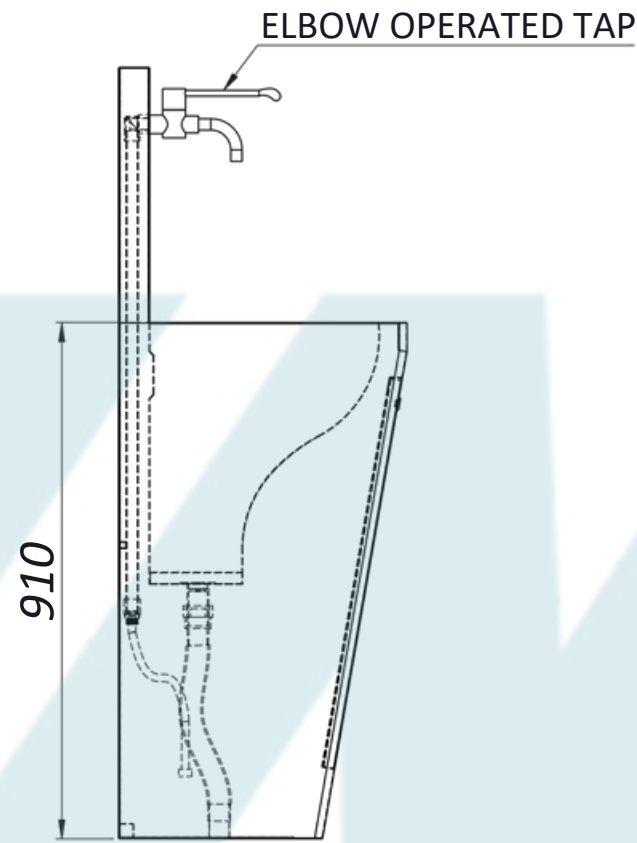
2. IN CASE OF SENSOR CONNECTION, DIMENSIONS MARKED AS (B) WILL BE APPLICABLE.

		CMP METAL	
DRN	SUNIL	DATE	MODEL NO.
CHD	AJAY		CMP1SSMK-2
APPD	SUNIL		TITLE:
SCALE	1:1		1BAY SCRUB SINK WITH MANUAL KNEE OPERATESIZE 600WX508DX1360H
ALL DIMENSIONS IN MM			SIZE
FIRST ANGLE PROJECTION			A2
DRG. NO.:-		SHEET NO	REV.
CMP-502		1 OF 1	0

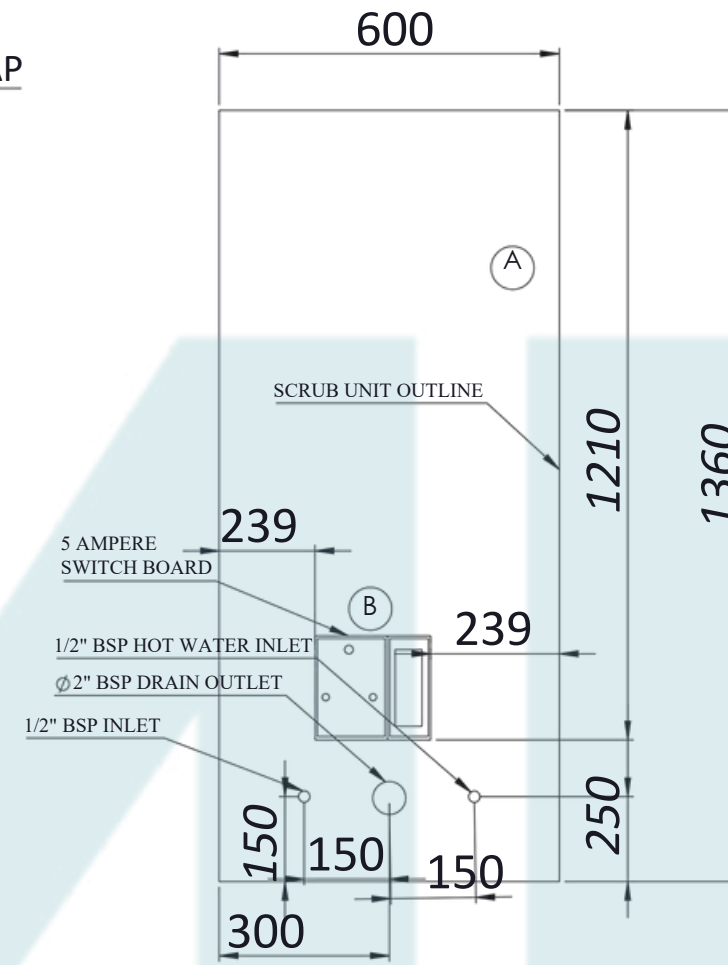
FEATURES:- ELBOW OPERATE SYSTEMS ARRANGEMENT
 MATERIAL S.S 304-1.2 THICKNESS PERFECT MAT
 FINISHING SINK BIB COCK TAPS QTY 1 NO BRAND
 JAGUAR PLUMBING MATERIAL BRAND -ASTRAL CPVC
 WASTE COUPLING FOR COLLAPSIBLE PIPE DOOR LOCK QTY
 & KEY QTY 1 NOS TOTAL PRODUCT 1-YEAR WARRANTY EAST
 TO CLEAN SURFACE RUST PROOF MATERIAL
 EASY TO INSTALL & LONG LIFE



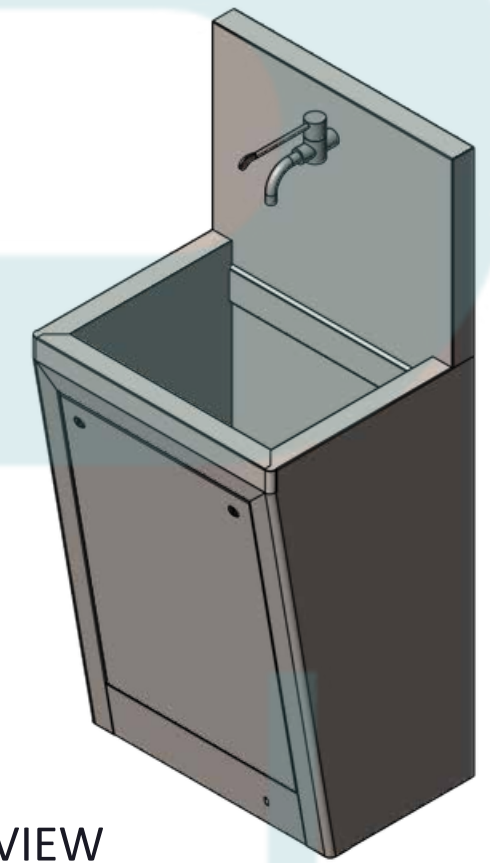
FRONT VIEW



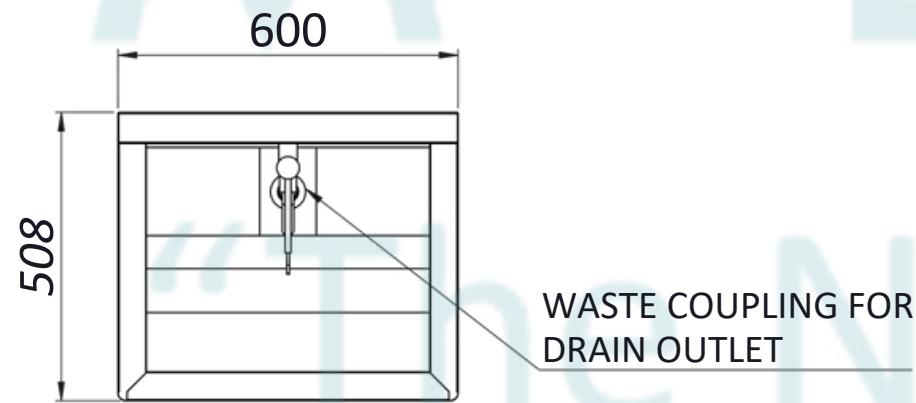
SIDE VIEW



WALL PLUMBING DIAGRAM



ISOMETRIC VIEW



TOP VIEW

THIS MODEL CAN ALSO BE SUPPLIED WITH ADDITIONAL FEATURES ALONG WITH THIS OPTION:-

- SC1) AUTOMATIC SENSOR OPTION (REMOVE ELBOW TAP ADD SPOUT)
- SC2) HOT & COOL WATER OPTION
- SC3) SOAP DISPENSER ELBOW OPTION
- SC4) SOAP DISPENSER FOOT OPTION
- SC5) SOAP DISPENSER KNEE OPTION
- SC6) SOAP DISPENSER AUTOMATIC SENSOR OPTION

NOTE:- WALL PLUMBING DIAGRAM
 1. IN CASE OF HOT & COOL WATER CONNECTION, DIMENSIONS MARKED

AS (A) WILL BE APPLICABLE.
 2. IN CASE OF SENSOR CONNECTION, DIMENSIONS MARKED AS (B)
 WILL BE APPLICABLE.

		CMP METAL		
		NAME	DATE	MODEL NO.
DRN	SUNIL		CMPISSME-3	
CHD	AJAY			
APPD	SUNIL		TITLE:	SIZE
SCALE	1:1		1BAY SCRUB SINK WITH MANUAL ELBOW OPERATE	A2
ALL DIMENSIONS IN MM			SIZE 600W X 508DX 1360H	
FIRST ANGLE PROJECTION		DRG.NO:-	SHEET NO	REV.
		CMP-503	1 OF 1	0