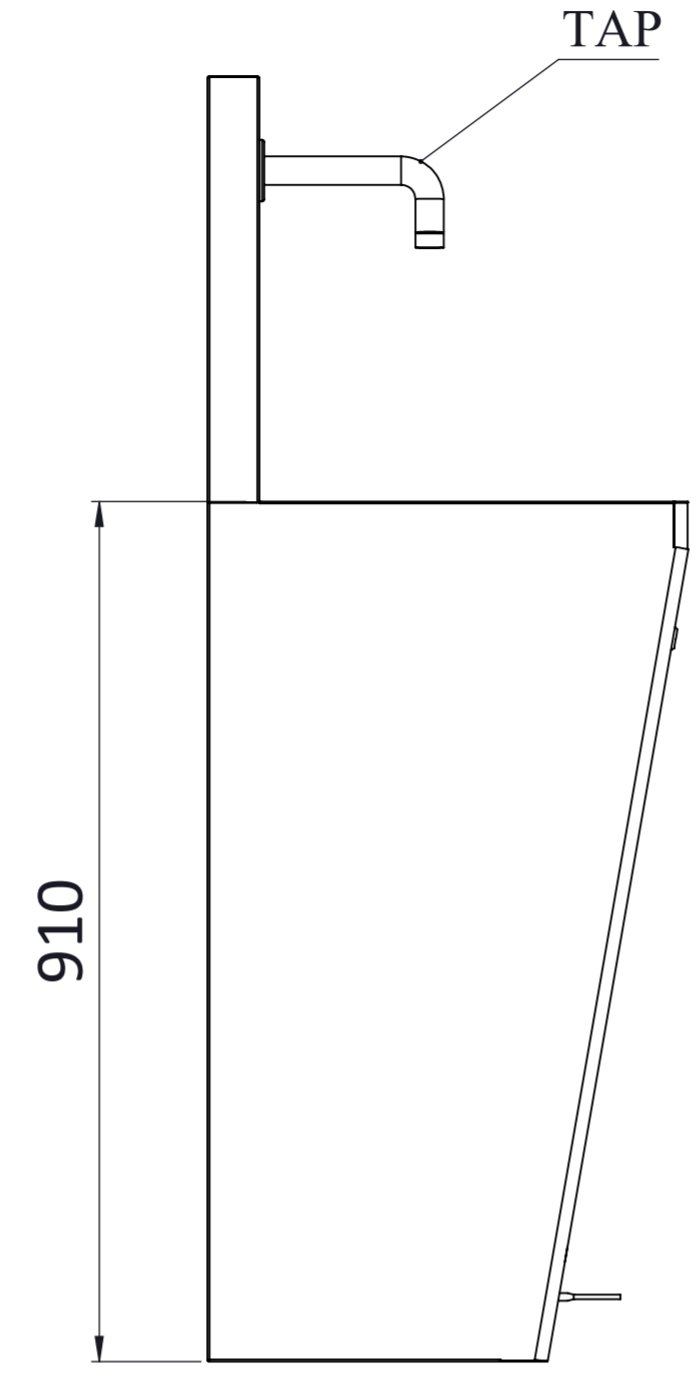
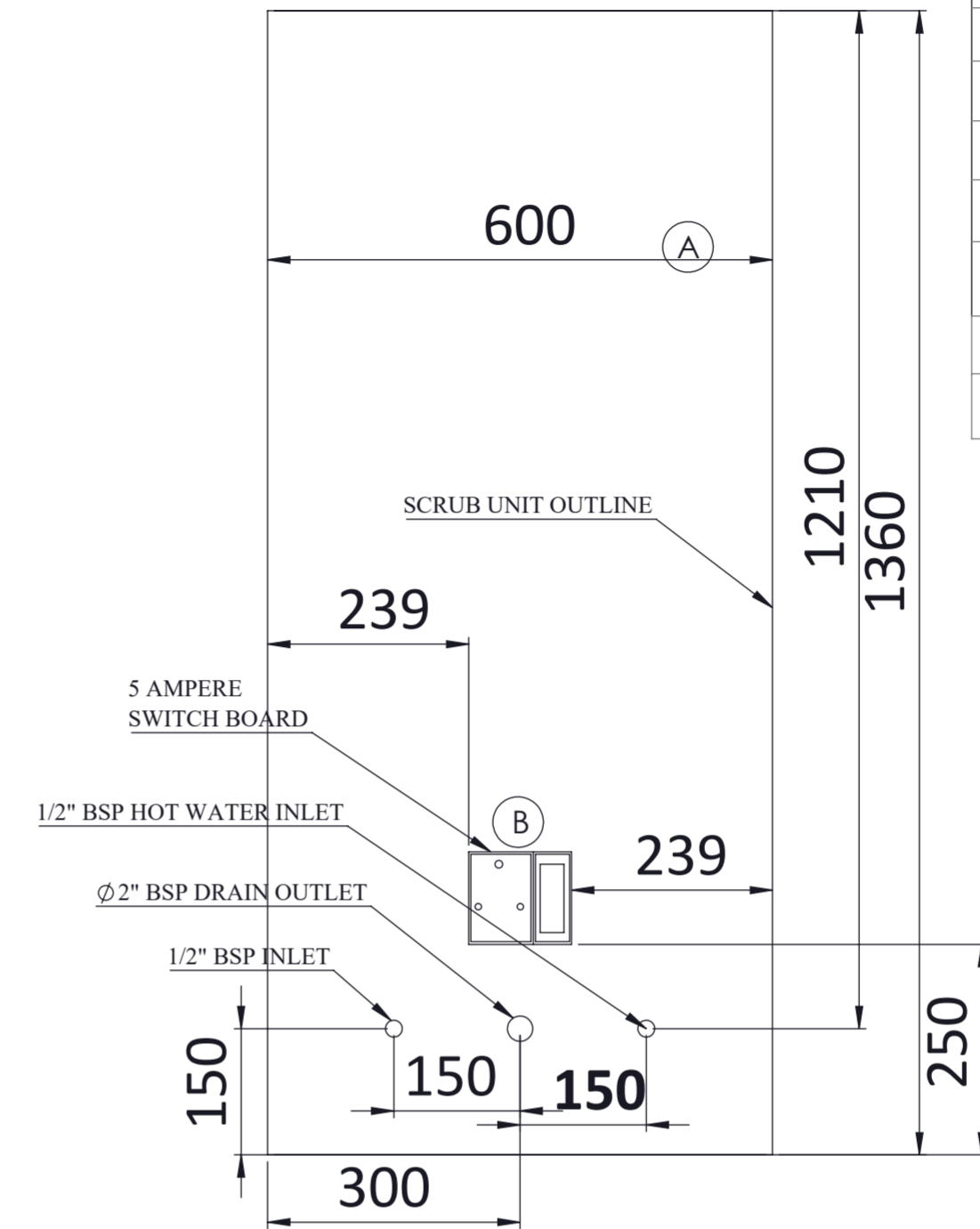


FRONT VIEW



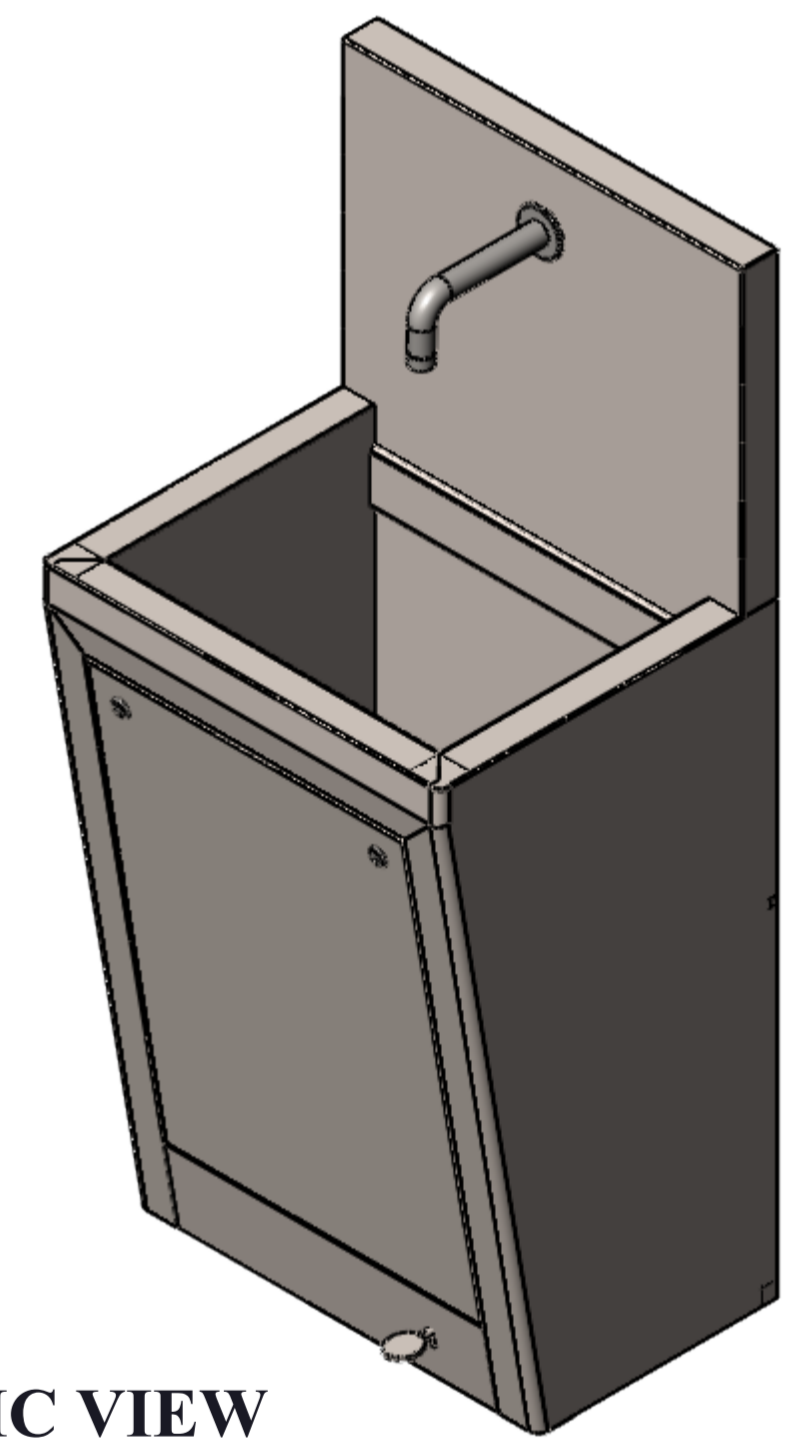
SIDE VIEW



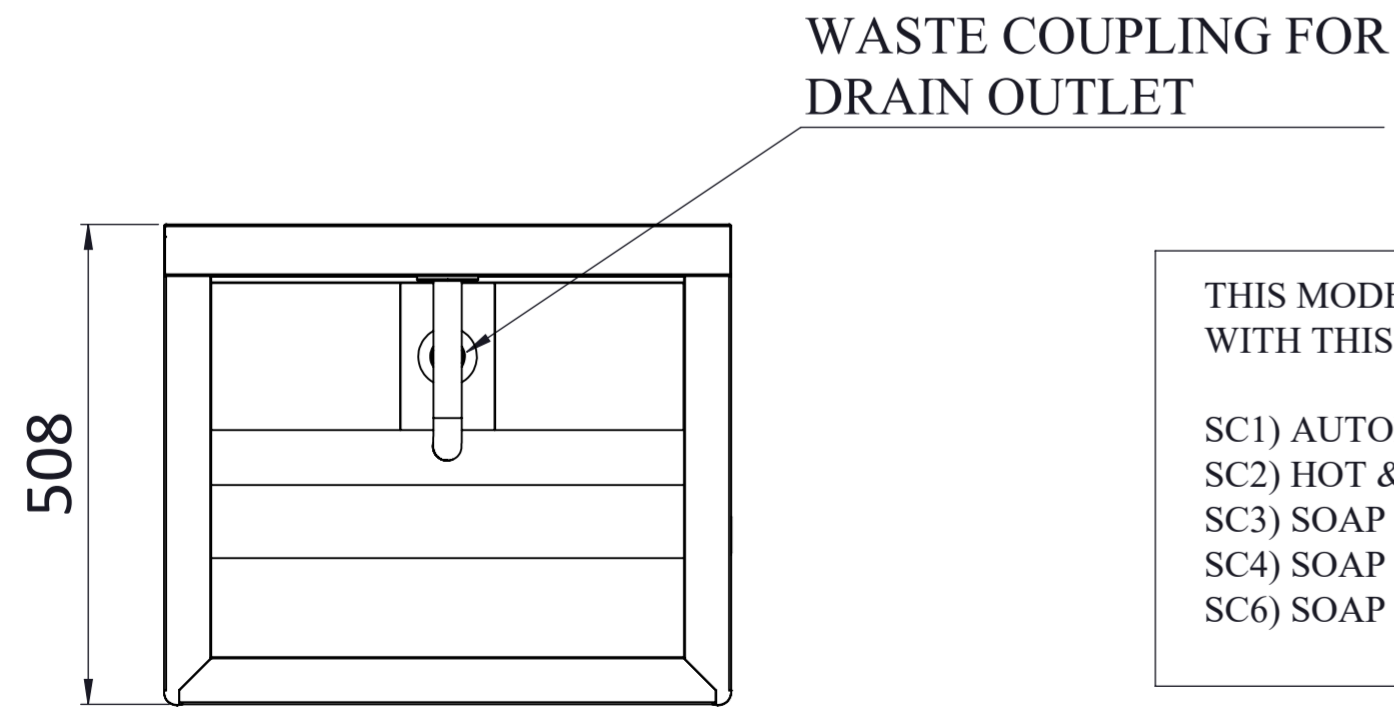
WALL PLUMBING DIAGRAM

FEATURES:-

FOOT OPERATE SYSTEMS ARRANGEMENT
MATERIAL S.S 304-1.2 THICKNESS
PERFECT MATT 4 NO FINISHING
SINK SPOUT TAPS&FOOT TAPS(PREESMATIC) QTY 1+1 NO BRAND - JAGUAR
PLUMBING MATERIAL - ASTRAL CPVC
WASTE COUPLING FOR COLLAPSIBLE PIPE
DOOR LOCK QTY 2 & KEY QTY 1 NOS
TOTAL PRODUCT 1-YEAR WARRANTY
EASY TO CLEAN SURFACE
RUST PROOF MATERIAL
EASY TO INSTALL & LONG LIFE



ISOMETRIC VIEW



TOP VIEW

THIS MODEL CAN ALSO BE SUPPLIED WITH ADDITIONAL FEATURES ALONG WITH THIS OPTION:-

- SC1) AUTOMATIC SENSOR OPTION
- SC2) HOT & COOL WATER OPTION
- SC3) SOAP DISPENSER ELBOW OPTION
- SC4) SOAP DISPENSER FOOT OPTION
- SC6) SOAP DISPENSER AUTOMATIC SENSOR OPTION

NOTE:- WALL PLUMBING DIAGRAM

1. IN CASE OF HOT & COOL WATER CONNECTION, DIMENSIONS MARKED AS (A) WILL BE APPLICABLE.
2. IN CASE OF SENSOR CONNECTION, DIMENSIONS MARKED AS (B) WILL BE APPLICABLE.

		<h1>CMP METAL</h1>	
DRN	SUNIL	DATE	<h2>CMP1SSMF-1</h2>
CHD	AJAY		
APPD	SUNIL		
SCALE	1:1	TITLE:	1BAY SCRUB SINK WITH MANUAL FOOT OPERATE SIZE 600WX508DX1360H
ALL DIMENSIONS IN MM		SIZE	
FIRST ANGLE		DRG.NO:-	SHEET NO
		CMP-501	1 OF 1
			REV.
			0

All information contained in this document is confidential and should not be used without prior consent of CMP METALS.