

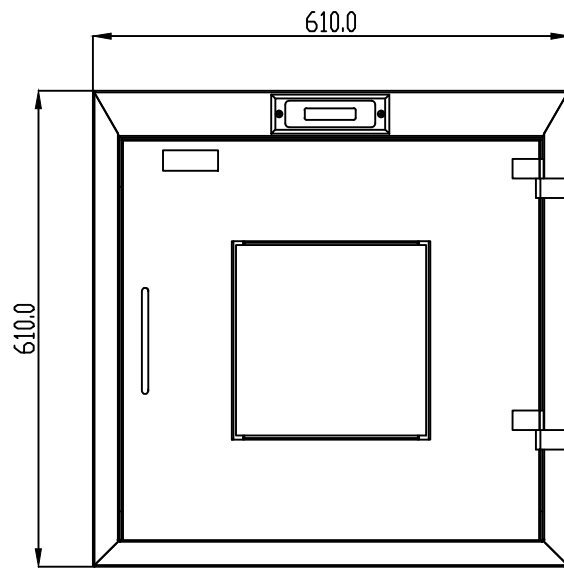
DRG.NO. CMP-350

IF IN DOUBT ASK

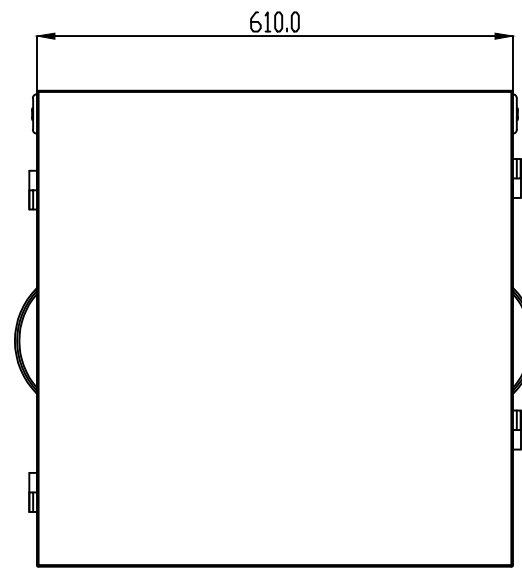
DO NOT SCALE DRAWING

All information contained in this document is confidential and should not be used without prior consent of **CMP METALS**.

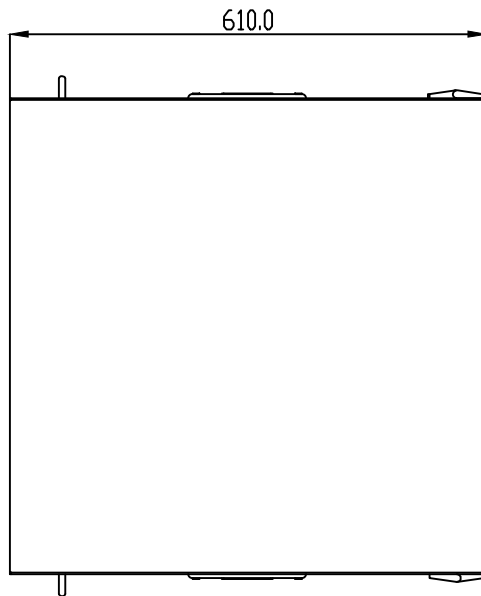
DRN BY:- SANJEET MANDAL



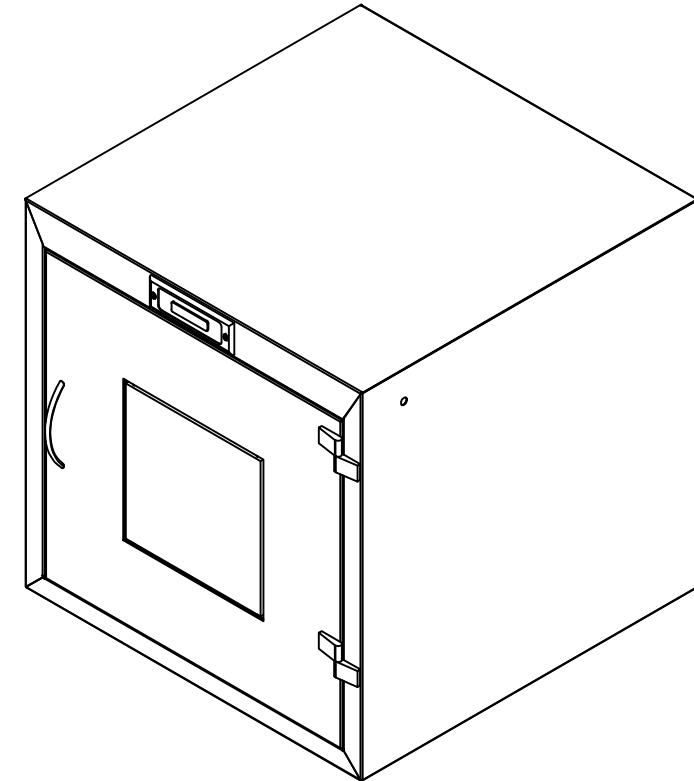
**FRONT VIEW**



**SIDE VIEW**



**TOP VIEW**



**ISOMETRIC VIEW**

SHEET MATERIAL	SS 304
SHEET THICKNESS	18 SWG
FINISH	MATT FINISH

		<i><b>CMP METAL</b></i>		
NAME	DATE	MODEL NO.		
DRN	SANJEET	22.01.2021	CMPPBEMUV545	
CHD	SUNIL			
APPD	AJAY		TITLE: PASS BOX ELECTROMAGNETIC WITH UV	
SCALE	not to scale		LIGHT INNER 492X545X426	
ALL DIMENSIONS IN MM			OUTER 610WX610HX610D	
THIRD ANGLE PROJECTION		DRG.NO:- CMP-350		SHEET NO 1 OF 1
				REV. 0

ORG SIZE  
**A4**