

DRG.NO. CMP-348

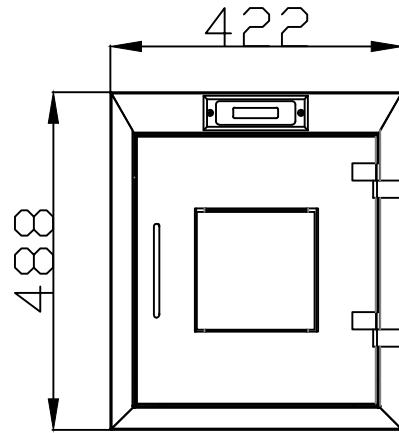
IF IN DOUBT ASK

DO NOT SCALE DRAWING

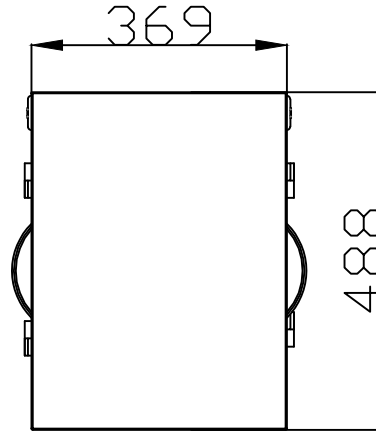
All information contained in this document is confidential and should not be used without prior consent of **CMP METALS**.

DRN BY:- SANJEET MANDAL

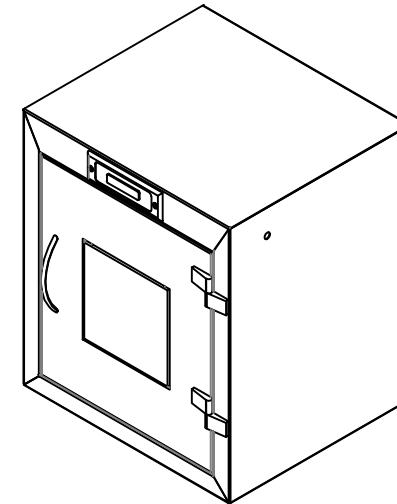
SHEET MATERIAL	SS 304
SHEET THICKNESS	18 SWG
FINISH	MATT FINISH



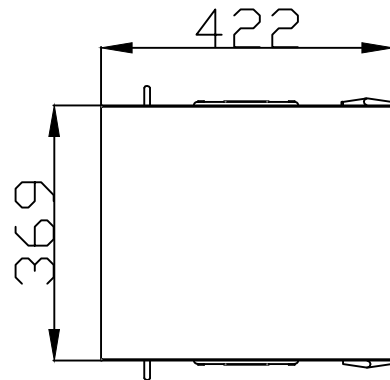
FRONT VIEW



SIDE VIEW



ISOMETRIC VIEW



TOP VIEW

CMP METAL		CMP METAL		
NAME	DATE	MODEL NO.		
DRN	SANJEET	20.01.2021	CMPPBEMUV304	
CHD	SUNIL			
APPD	AJAY	TITLE: PASS BOX ELECTROMAGNETIC WITH UV		
SCALE	not to scale		LIGHT INNER 304X304X304	ORG SIZE
ALL DIMENSIONS IN MM		OUTER 422WX488HX369D		A4
THIRD ANGLE PROJECTION		DRG.NO:-	SHEET NO	REV.
		CMP-348	1 OF 1	0