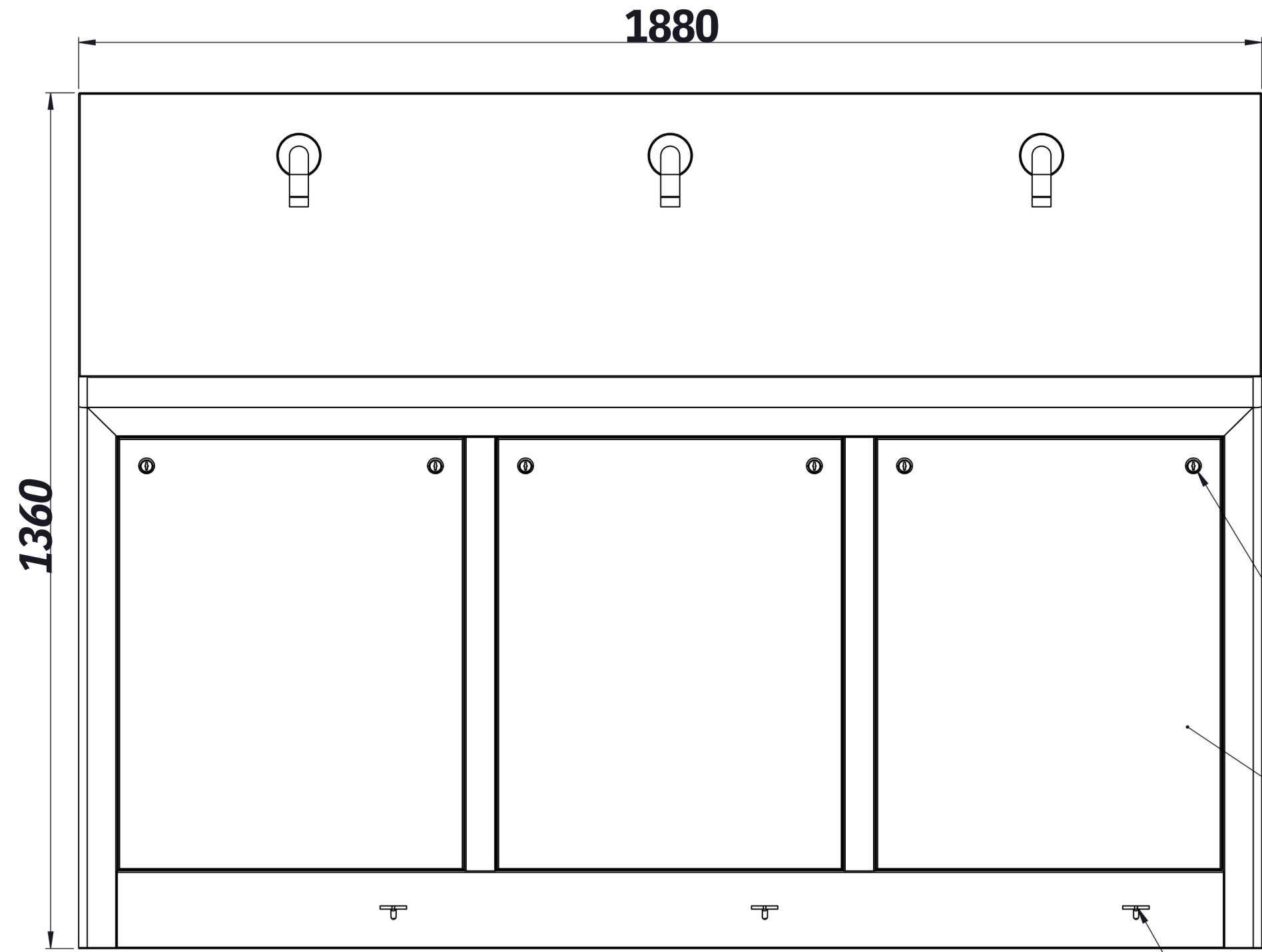
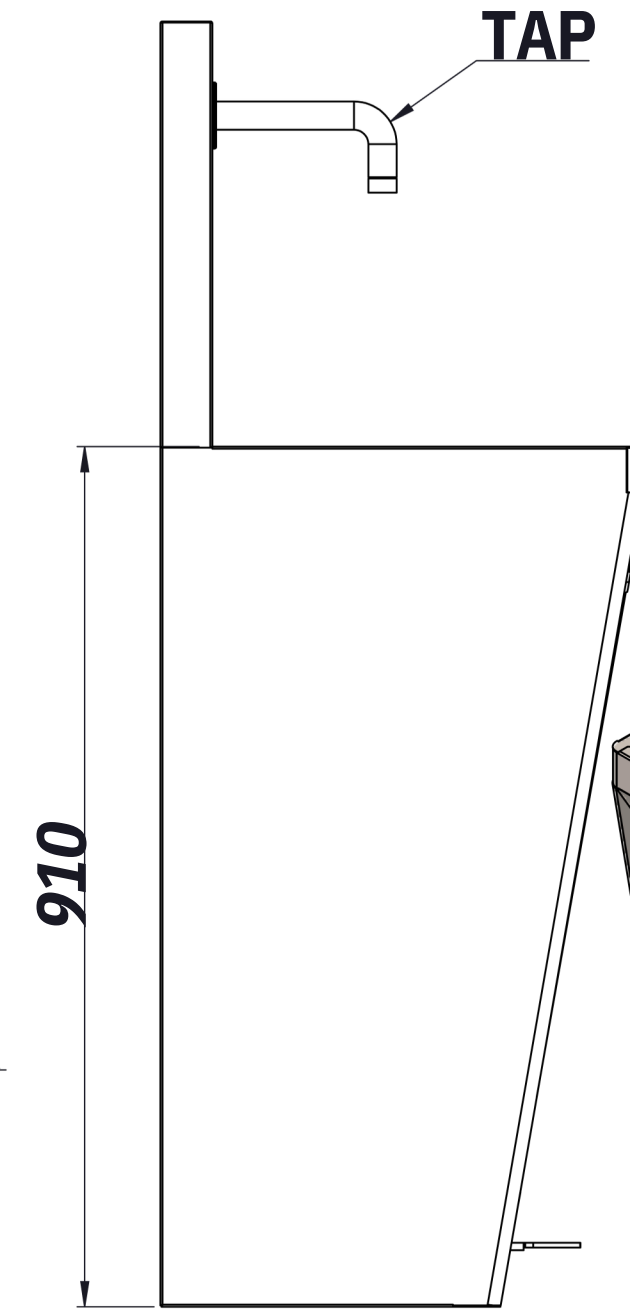


SHEET MATERIAL	SS 304
SHEET THICKNESS	18 SWG
FINISH	MATT FINISH

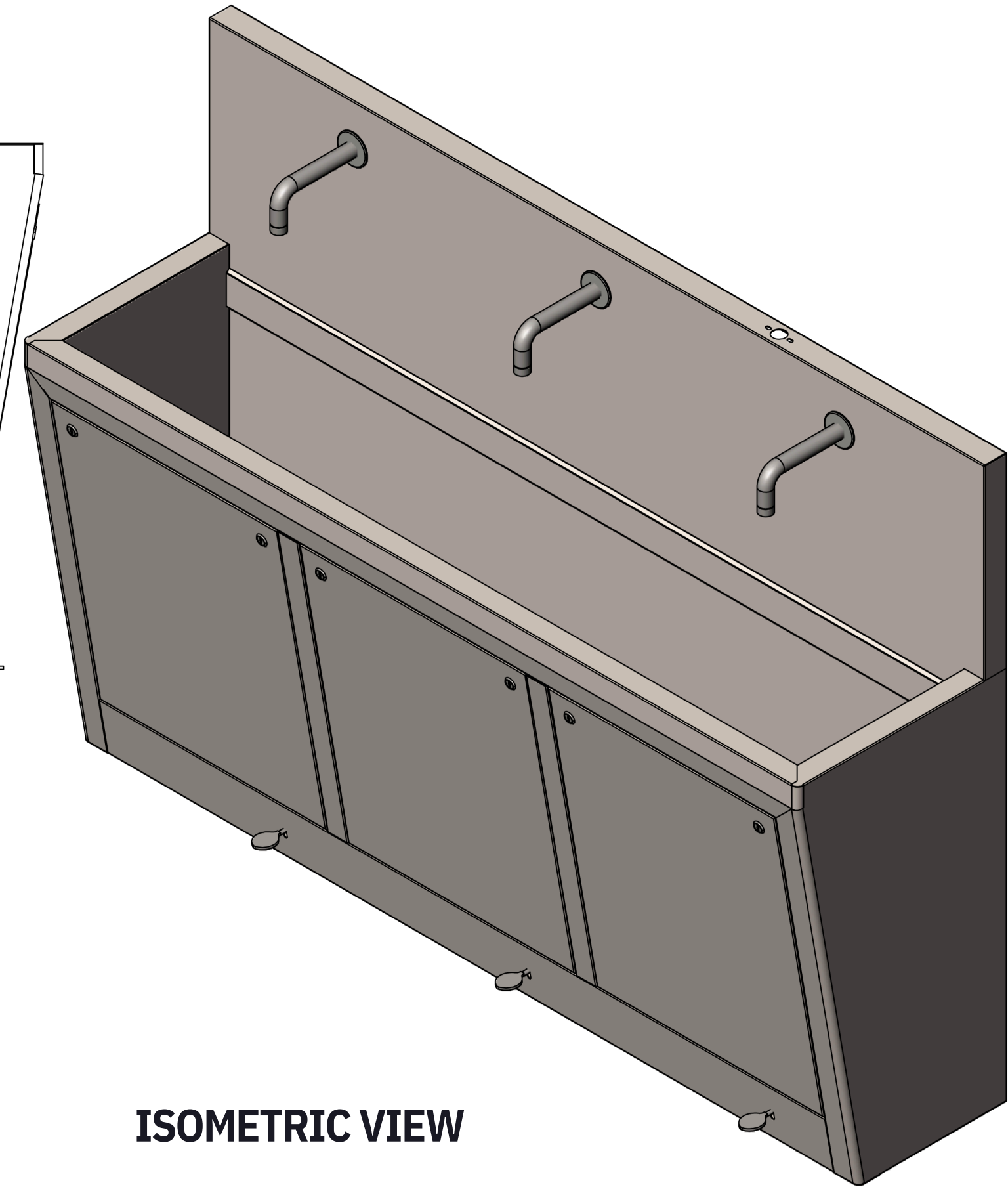


FRONT VIEW

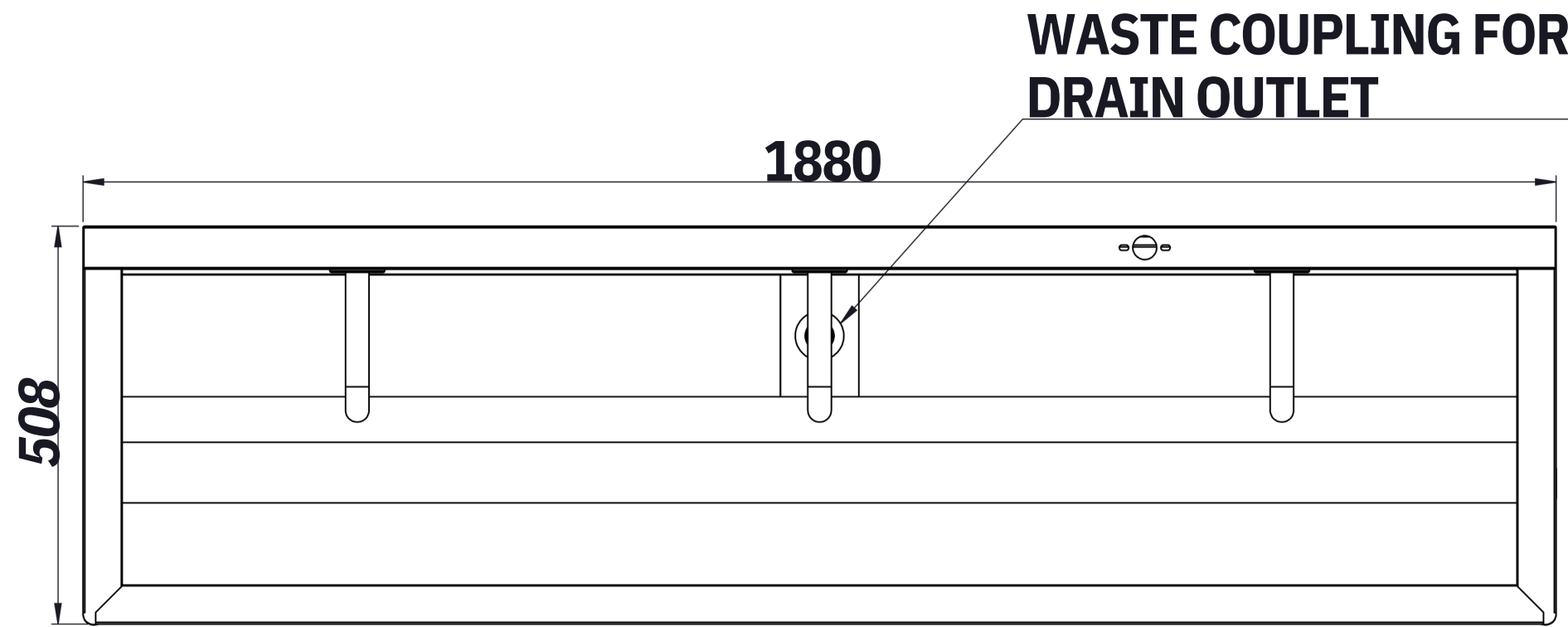


SIDE VIEW

FOOT PEDDAL



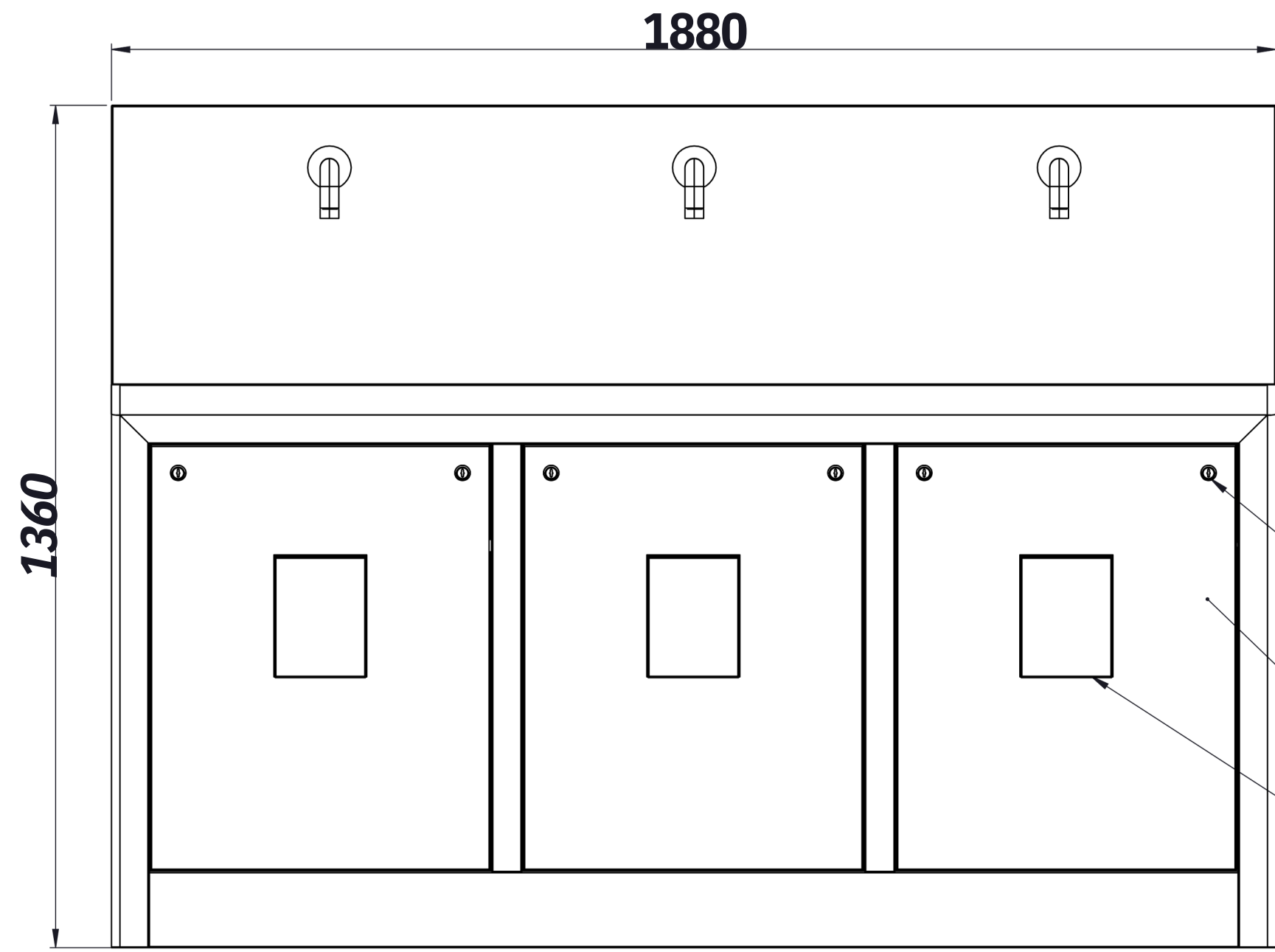
ISOMETRIC VIEW



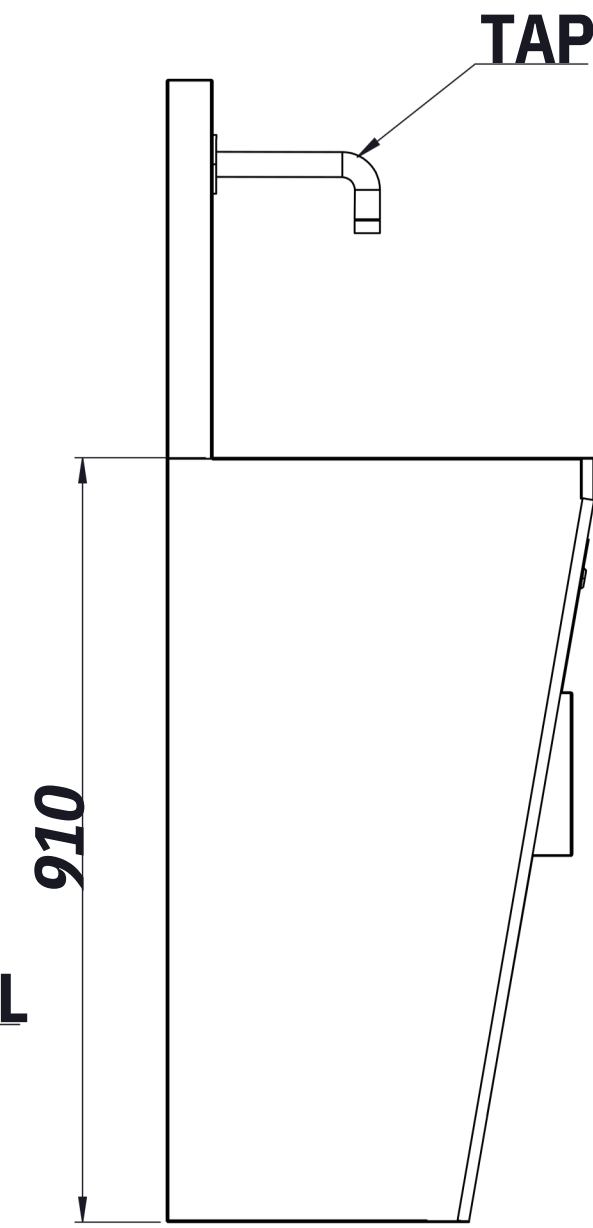
TOP VIEW

		<b>CMP METAL</b>		
NAME	DATE	MODEL NO.		
DRN	SANJEET	29.06.2021	<b>CMP3SSMF-1</b>	
CHD	AJAY	TITLE:		
APPD	SUNIL	3 BAY SCRUB SINK WITH MANUAL FOOT OPERATED SIZE 1880WX508DX1360H		
SCALE	1:1		SIZE	
ALL DIMENSIONS IN MM				
FIRST ANGLE PROJECTION			DRG.NO:-	SHEET NO
			CMP-701	1 OF 1
				REV.
				0

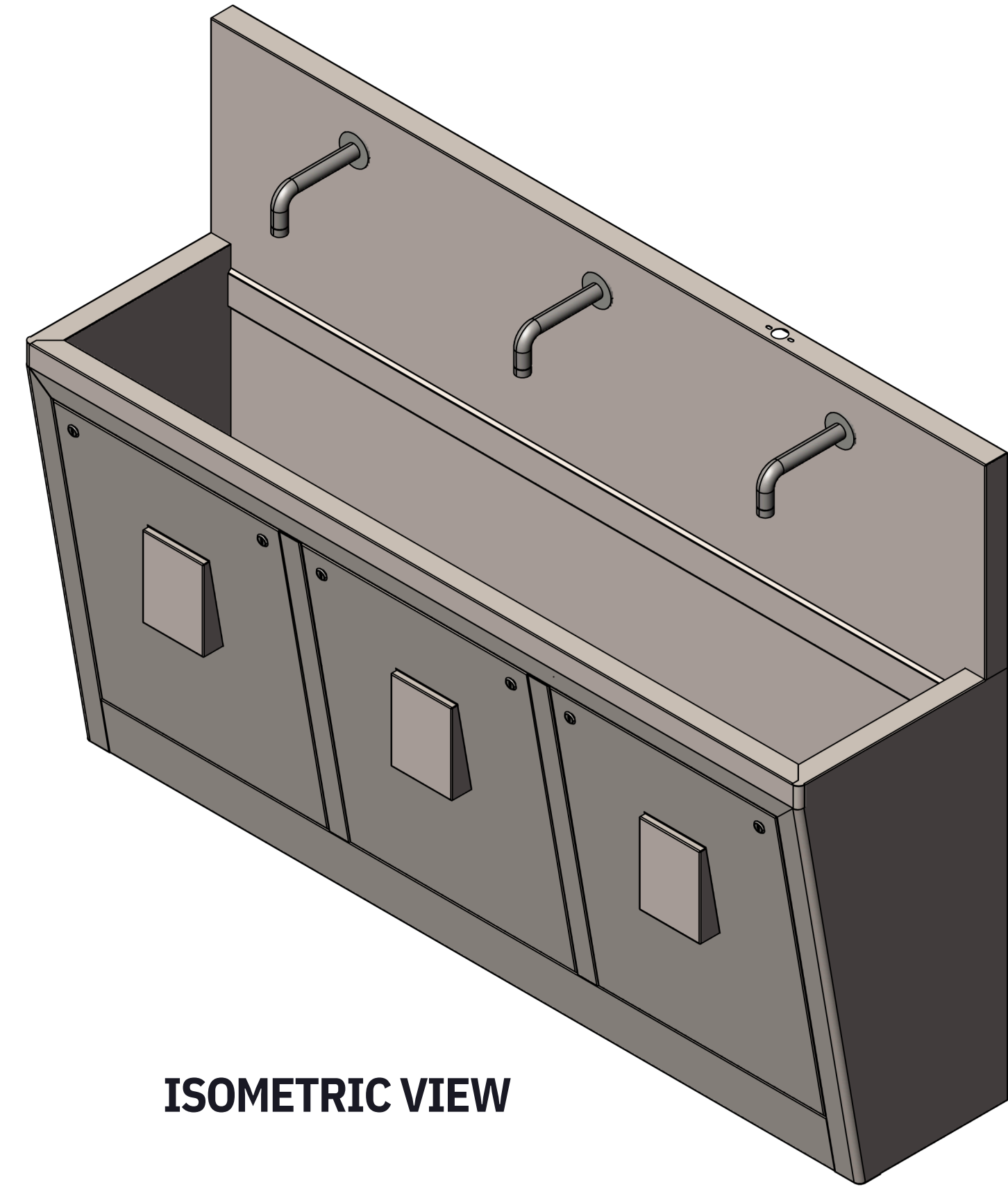
SHEET MATERIAL	SS 304
SHEET THICKNESS	18 SWG
FINISH	MATT FINISH



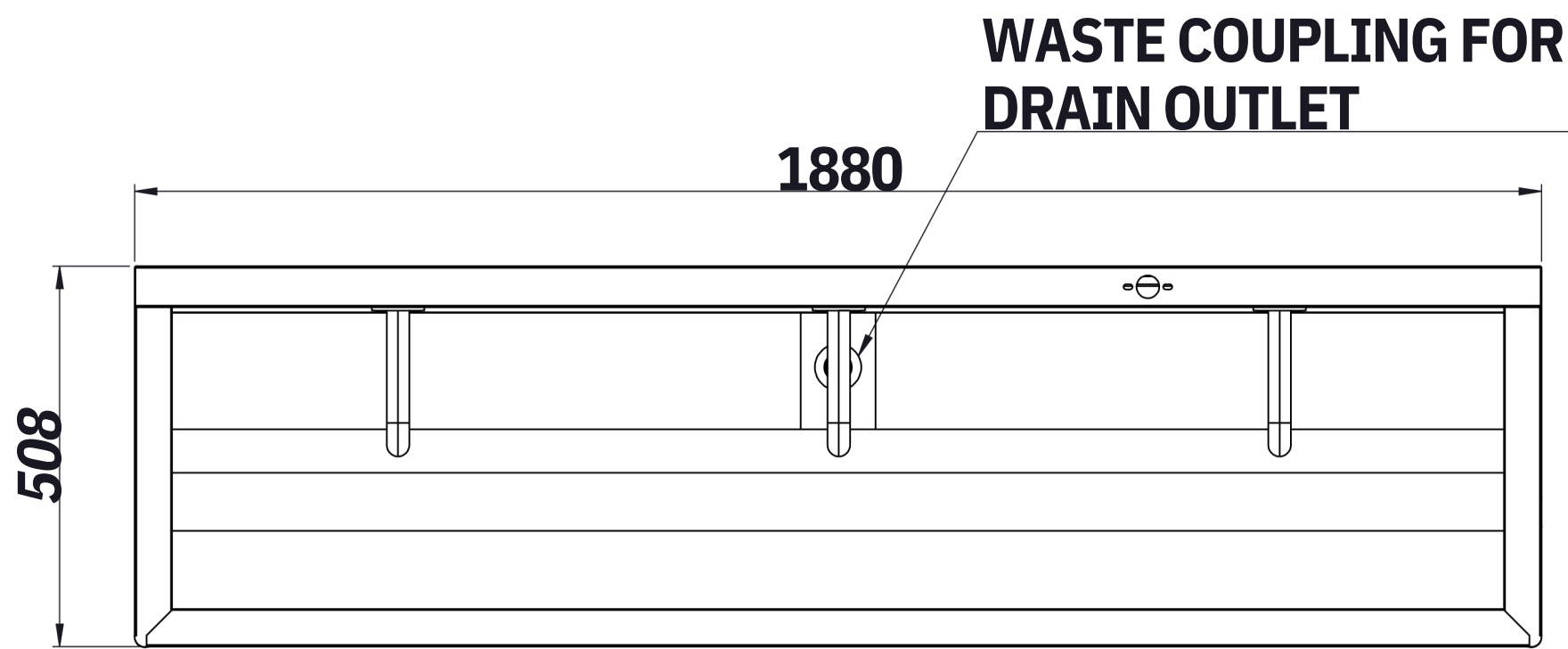
**FRONT VIEW**




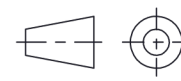
**SIDE VIEW**



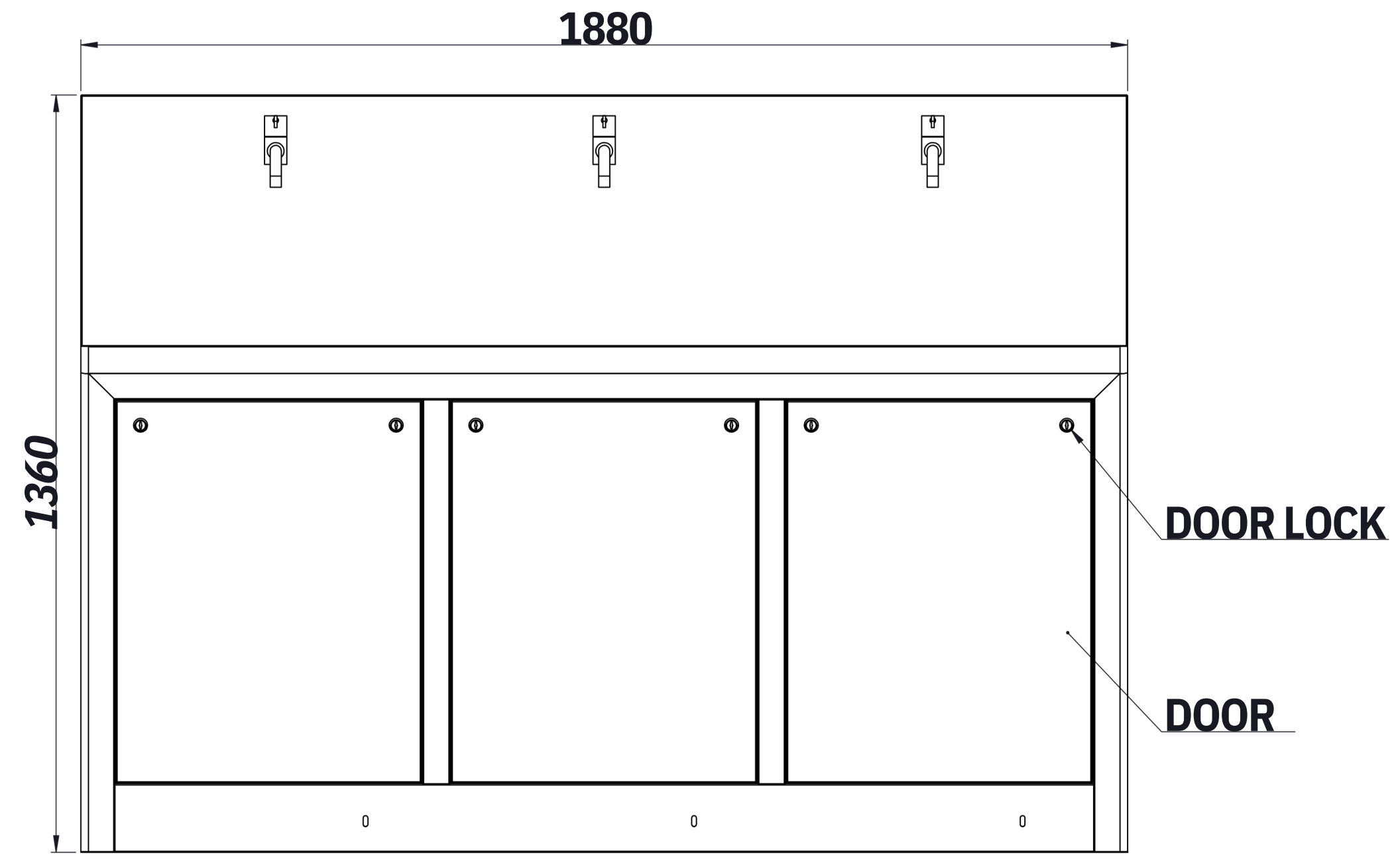
**ISOMETRIC VIEW**



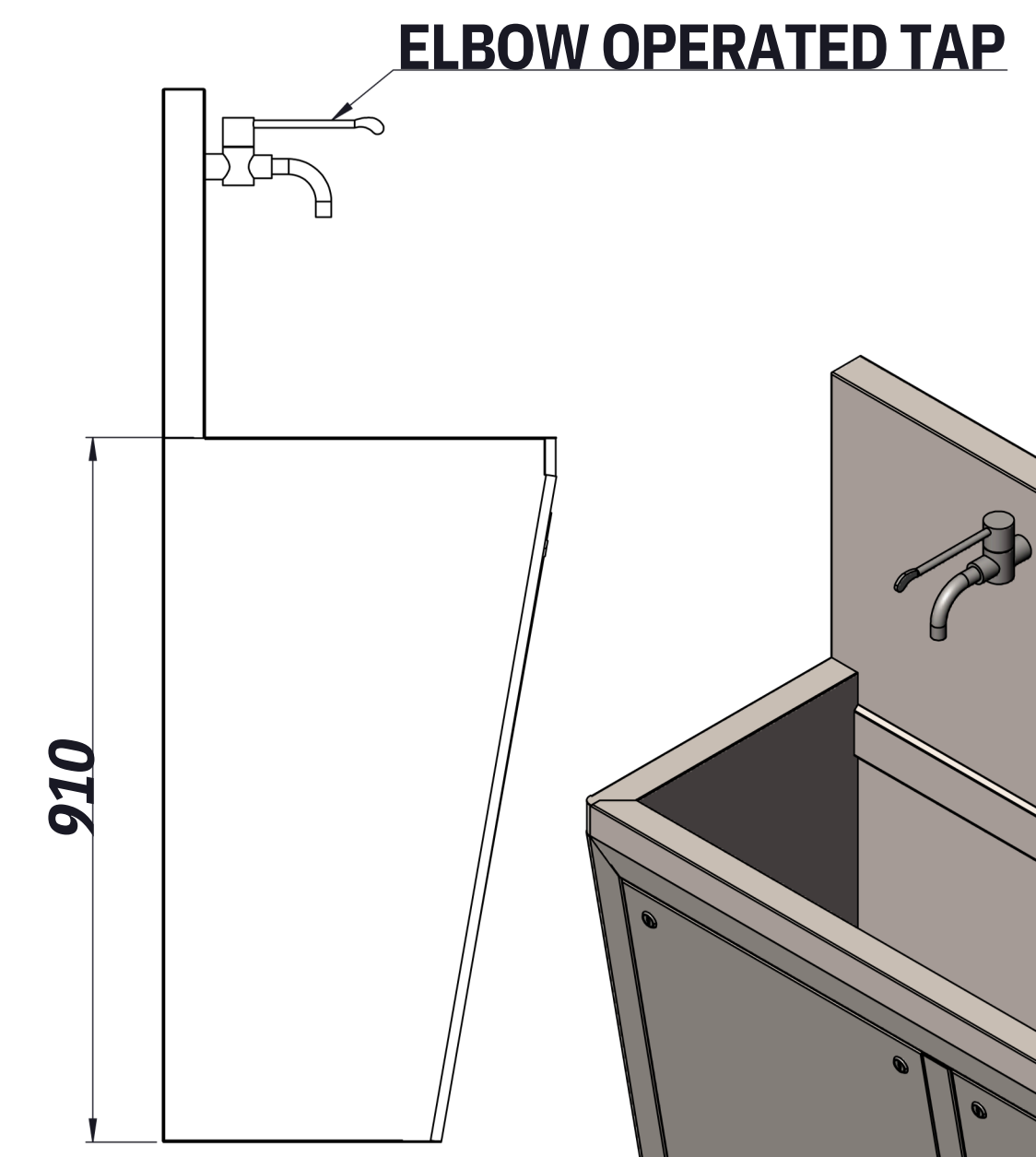
**TOP VIEW**

		<p><b>CMP METAL</b></p>			
NAME	DATE	MODEL NO.			
DRN	SANJEET	31.07.2021	<p><b>CMP3SSMK-2</b></p>		
CHD	AJAY	TITLE:			
APPD	SUNIL	<p>3 BAY SCRUB SINK WITH MANUAL KNEE OPERATE SIZE 1880WX508DX1360H</p>			SIZE <b>A2</b>
SCALE	1:1		DRG.NO:-		SHEET NO 1 OF 1
ALL DIMENSIONS IN MM					
FIRST ANGLE PROJECTION			<p>CMP-702</p>		REV. 0

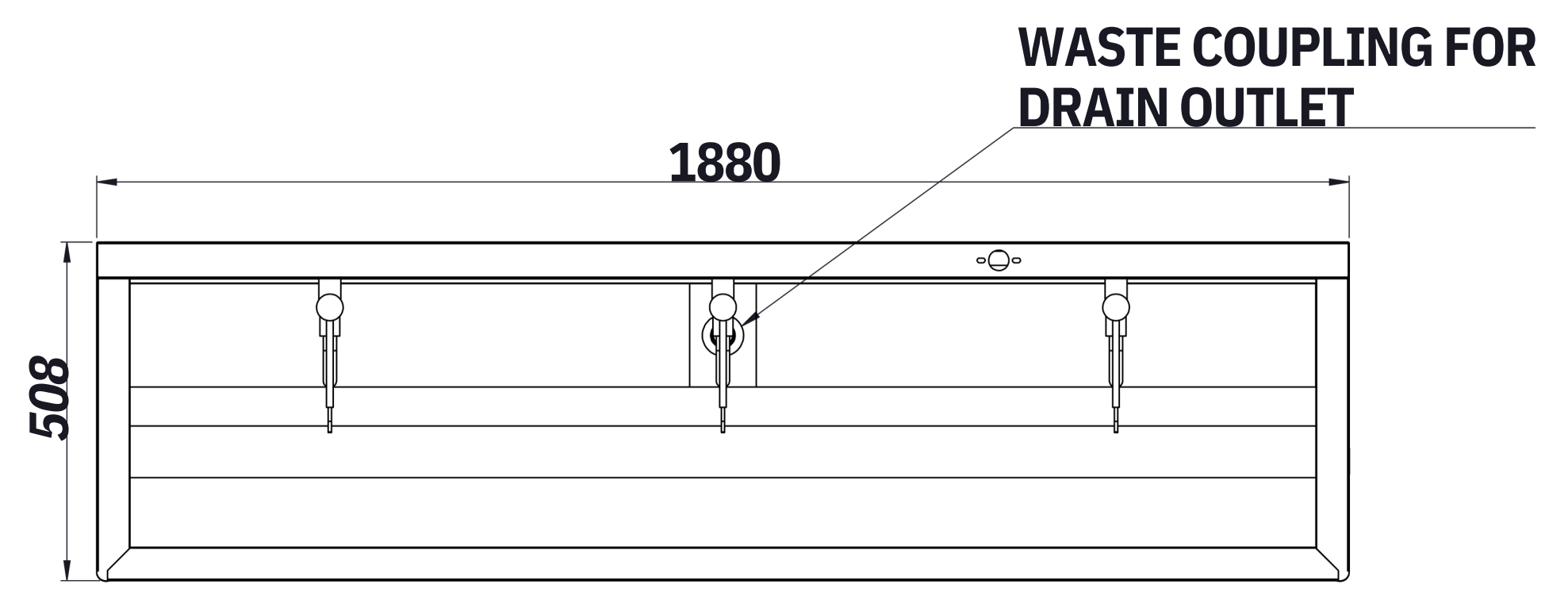
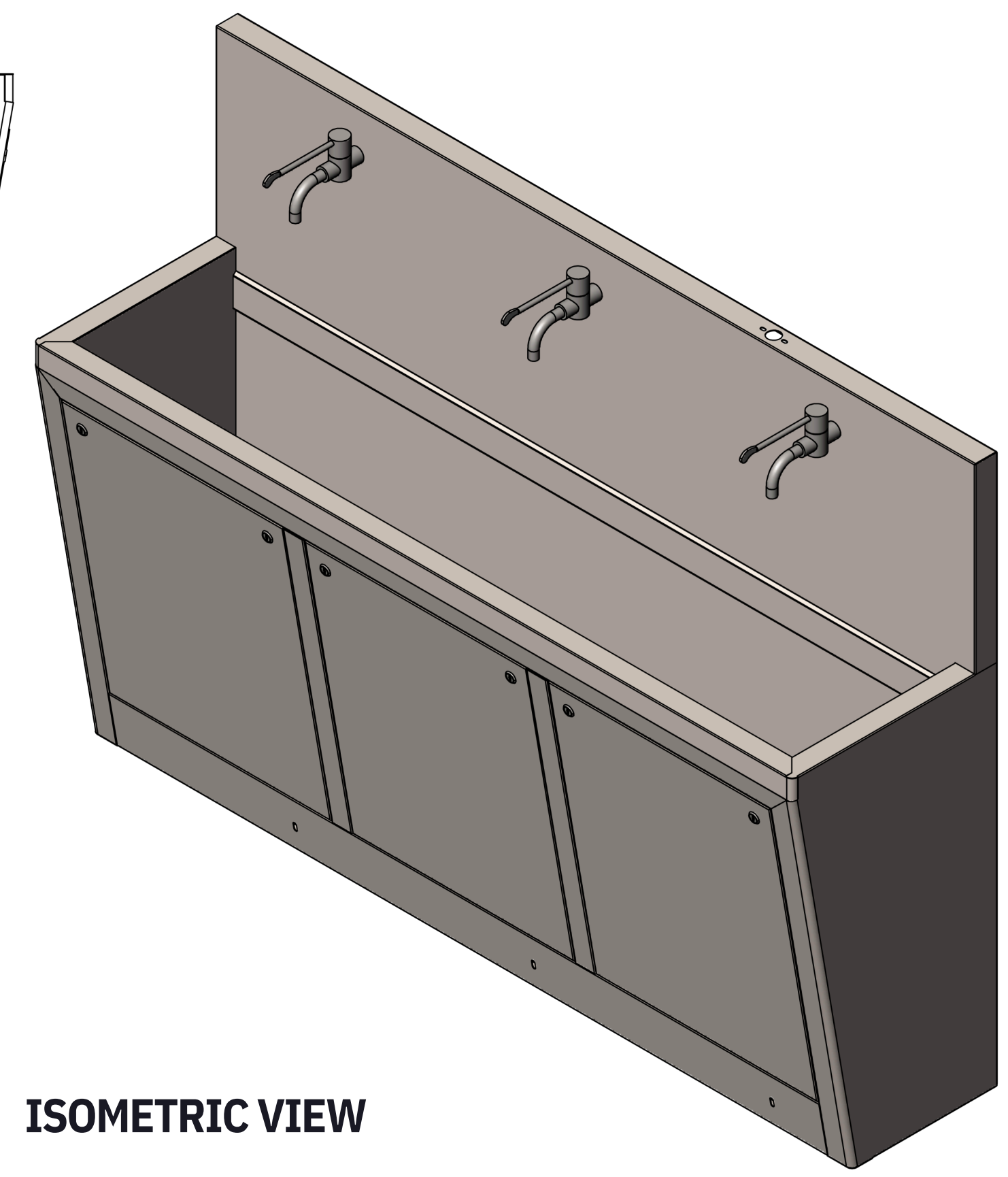
SHEET MATERIAL	SS 304
SHEET THICKNESS	18 SWG
FINISH	MATT FINISH



**FRONT VIEW**



**SIDE VIEW**



**TOP VIEW**

		<b>CMP METAL</b>		
DRN	NAME	DATE	MODEL NO.	
CHD	SANJEET	17.07.2021	CMP3SSME-3	
APPD	AJAY		TITLE:	
SCALE	1:1		3 BAY SCRUB SINK WITH MANUAL ELBOW OPERATE	
ALL DIMENSIONS IN MM			SIZE 1880WX508DX1360H	
FIRST ANGLE PROJECTION		DRG.NO:-		SHEET NO
		CMP-703		1 OF 1
				REV.
				0