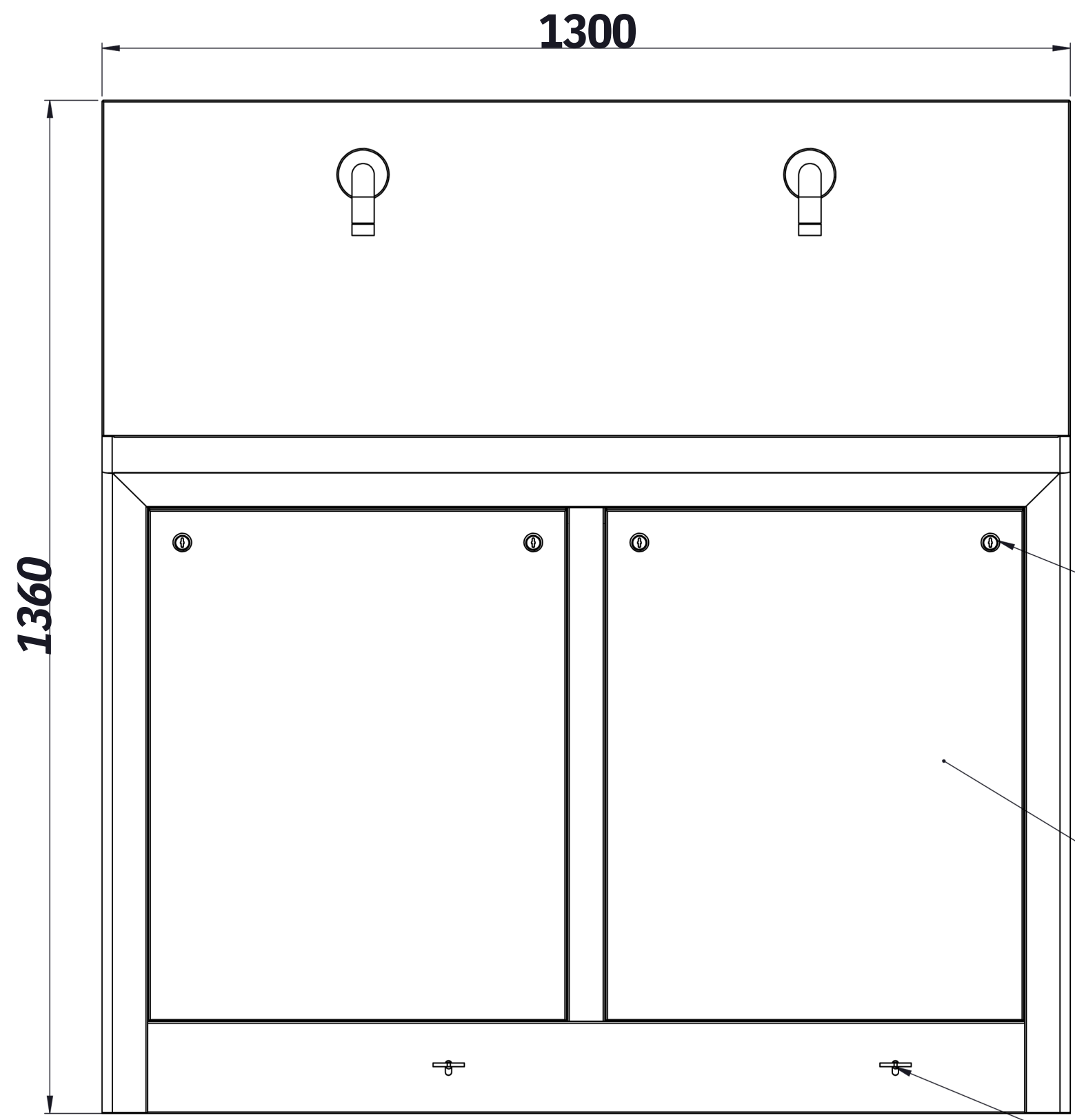
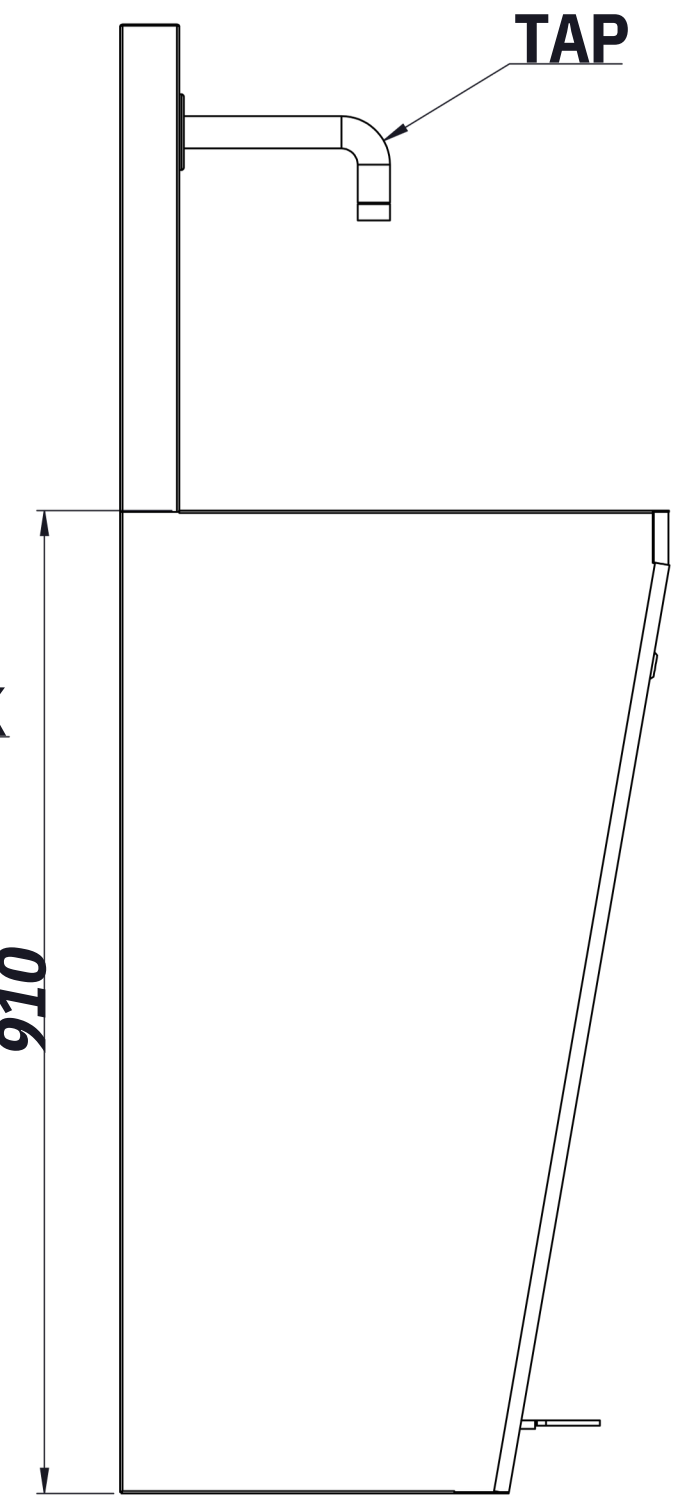


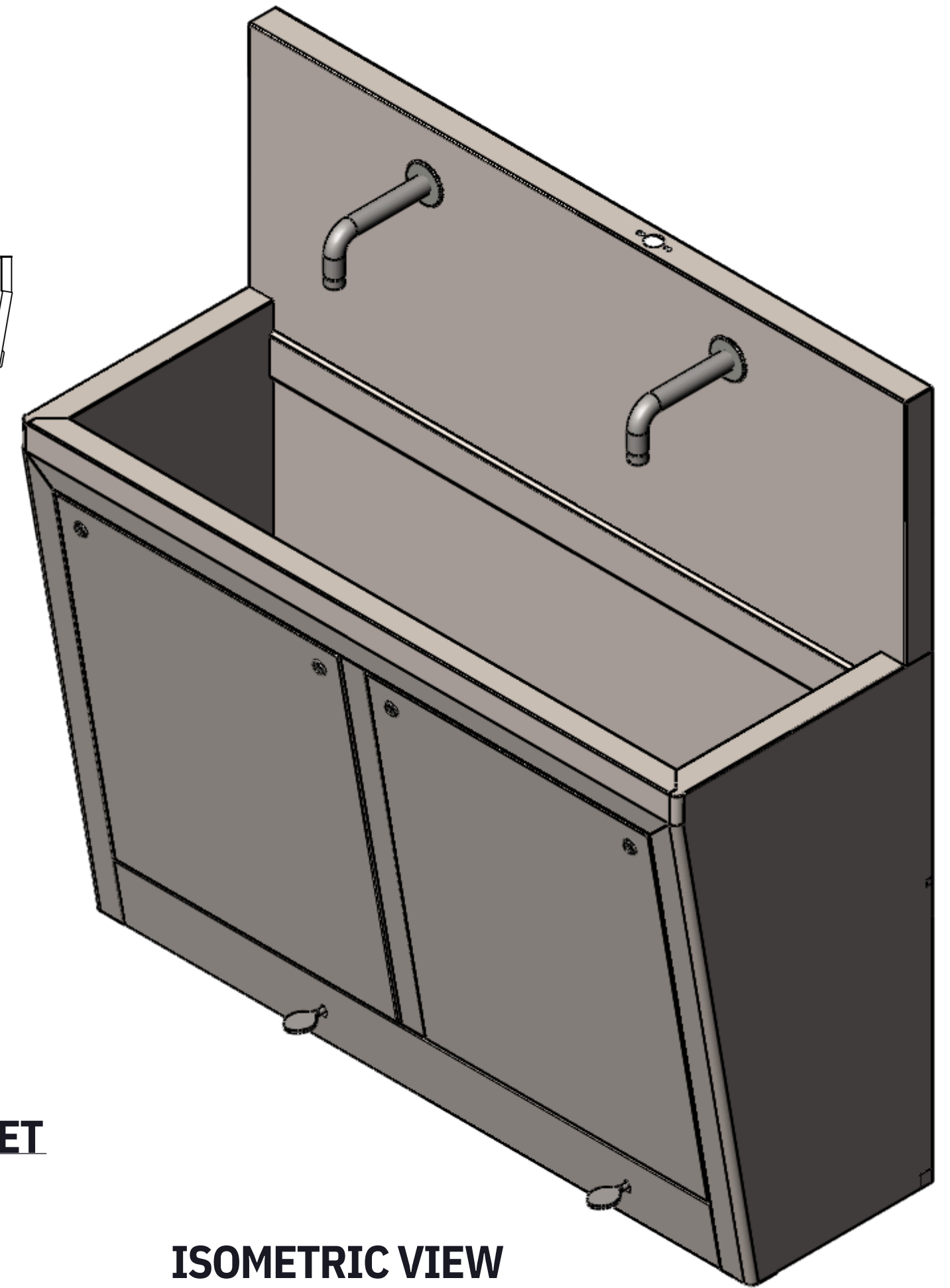
SHEET MATERIAL	SS 304
SHEET THICKNESS	18 SWG
FINISH	MATT FINISH



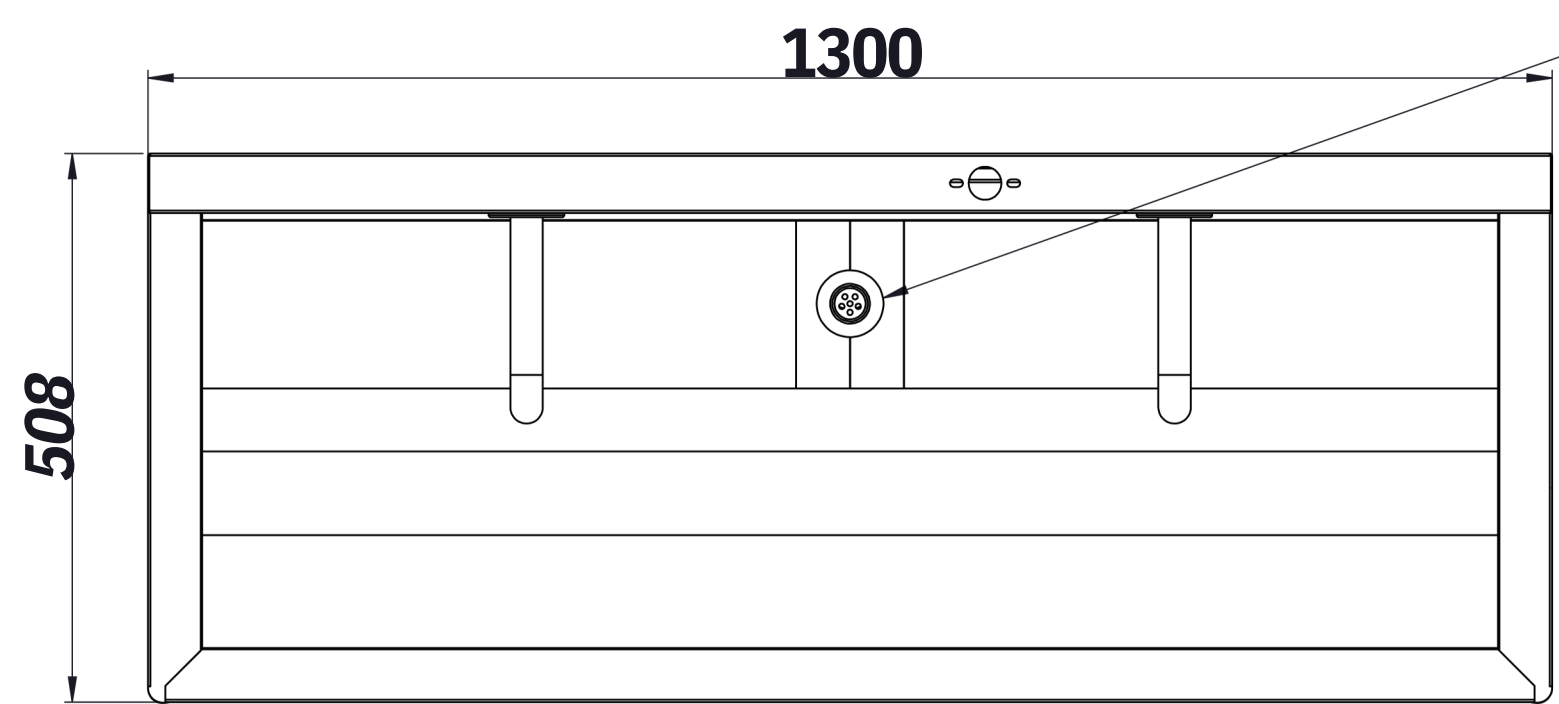
**FRONT VIEW**



**SIDE VIEW**


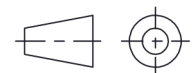


**ISOMETRIC VIEW**

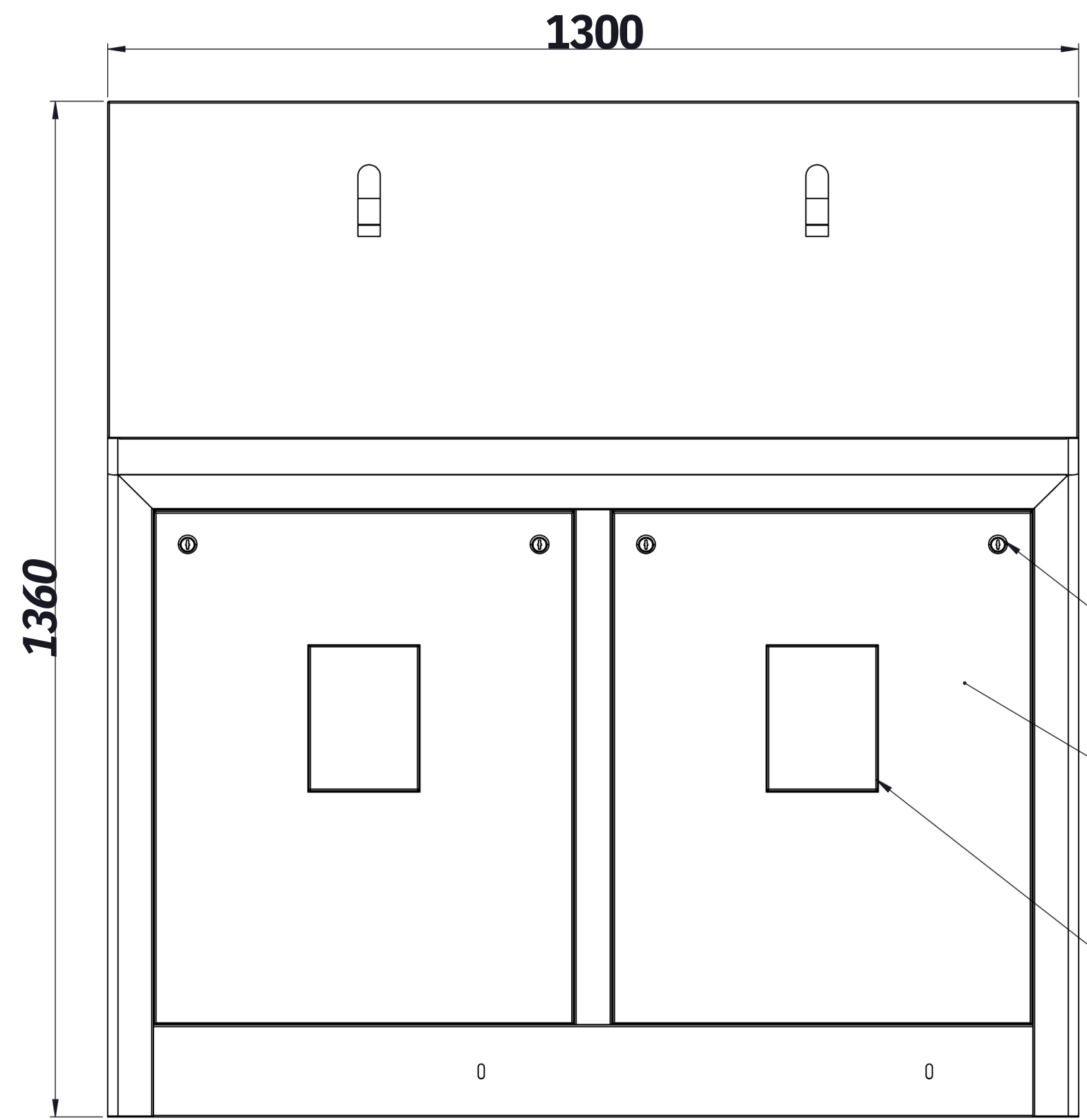


**TOP VIEW**

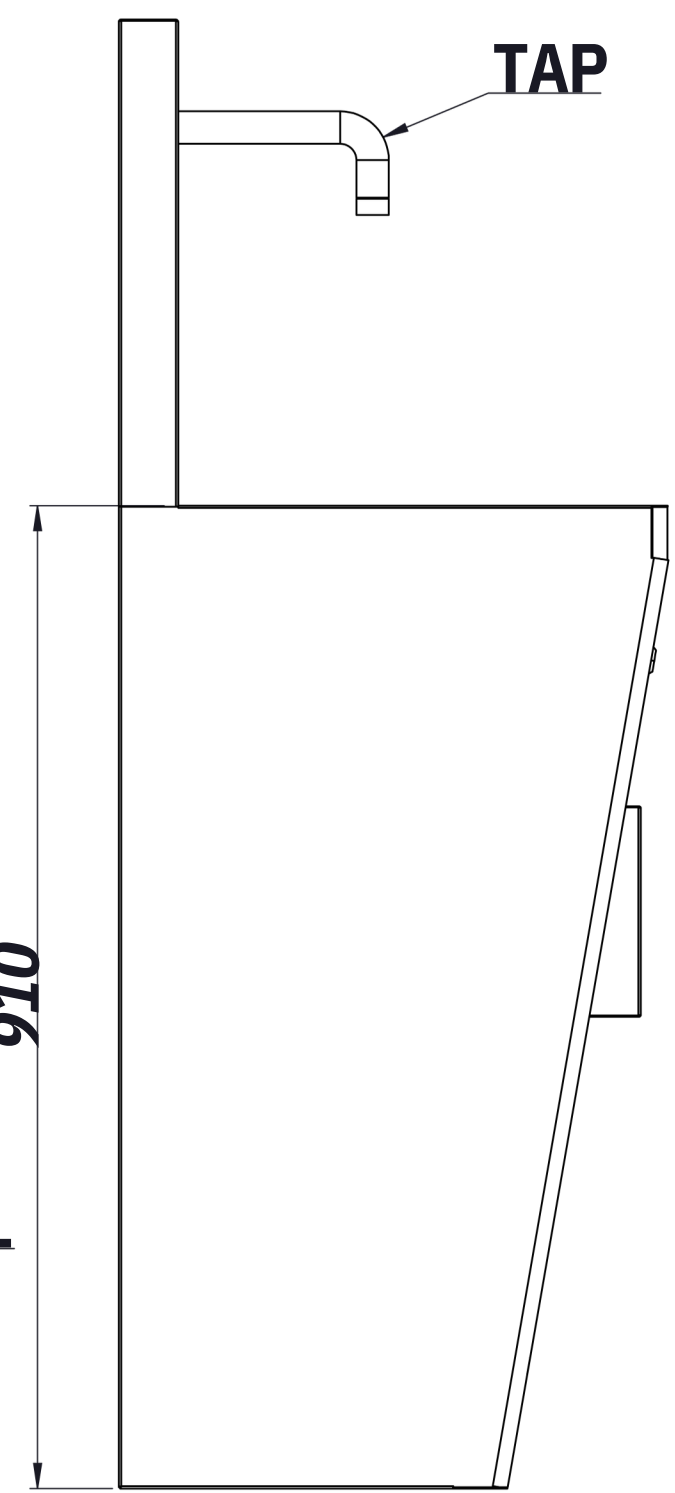
**WASTE COUPLING FOR DRAIN OUTLET**

		<b>CMP METAL</b>		
NAME	DATE	MODEL NO.		
DRN SANJEET	07.06.2021	<b>CMP2SSMF-1</b>		
CHD AJAY		TITLE:		SIZE
APPD SUNIL		2BAY SCRUB SINK MANUAL FOOT OPERATE		<b>A2</b>
SCALE 1:1		SIZE 1300WX508DX1360H		
ALL DIMENSIONS IN MM		DRG.NO:-	SHEET NO	REV.
FIRST ANGLE PROJECTION		CMP-601	1 OF 1	0

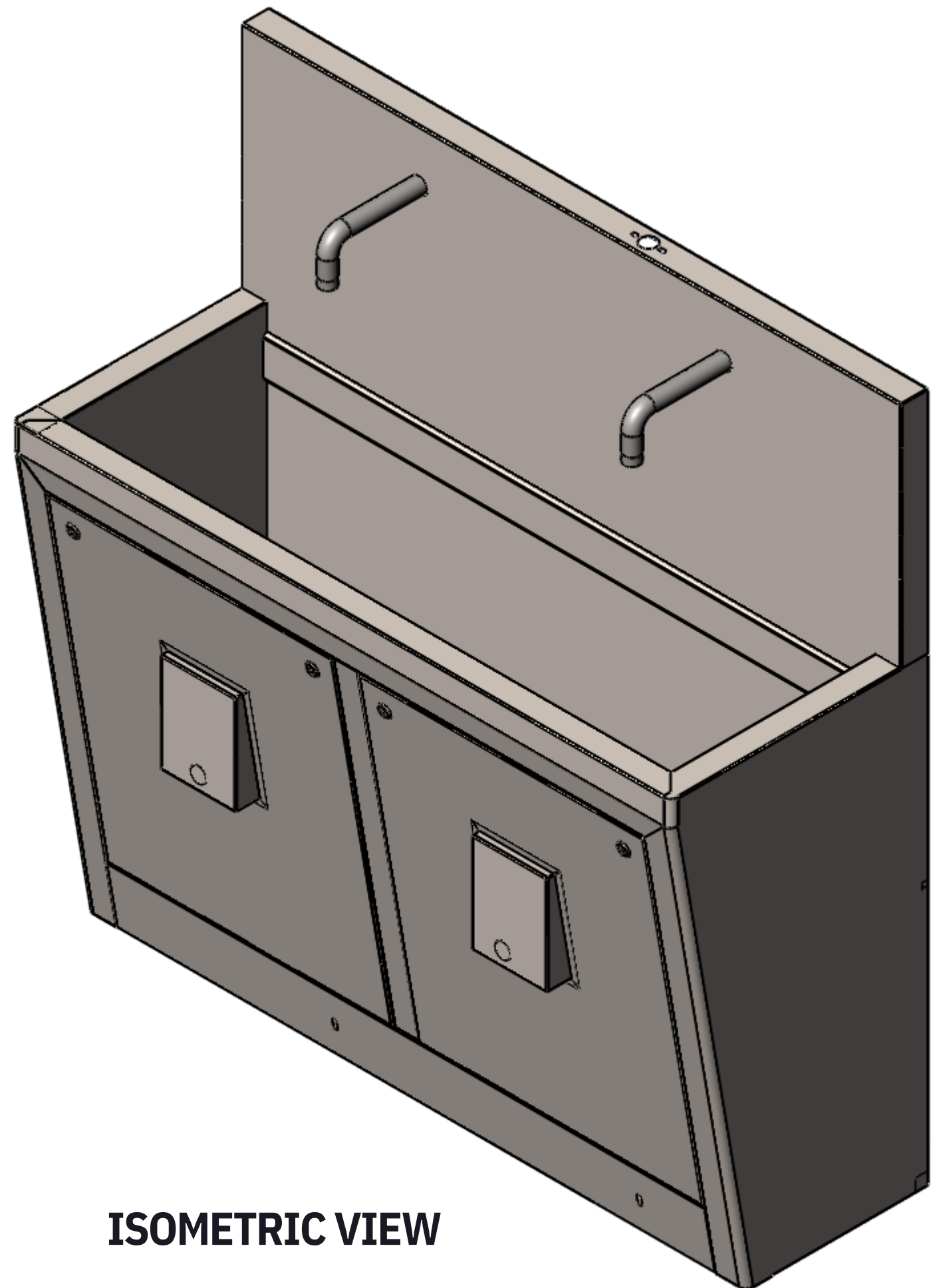
SHEET MATERIAL	SS 304
SHEET THICKNESS	18 SWG
FINISH	MATT FINISH



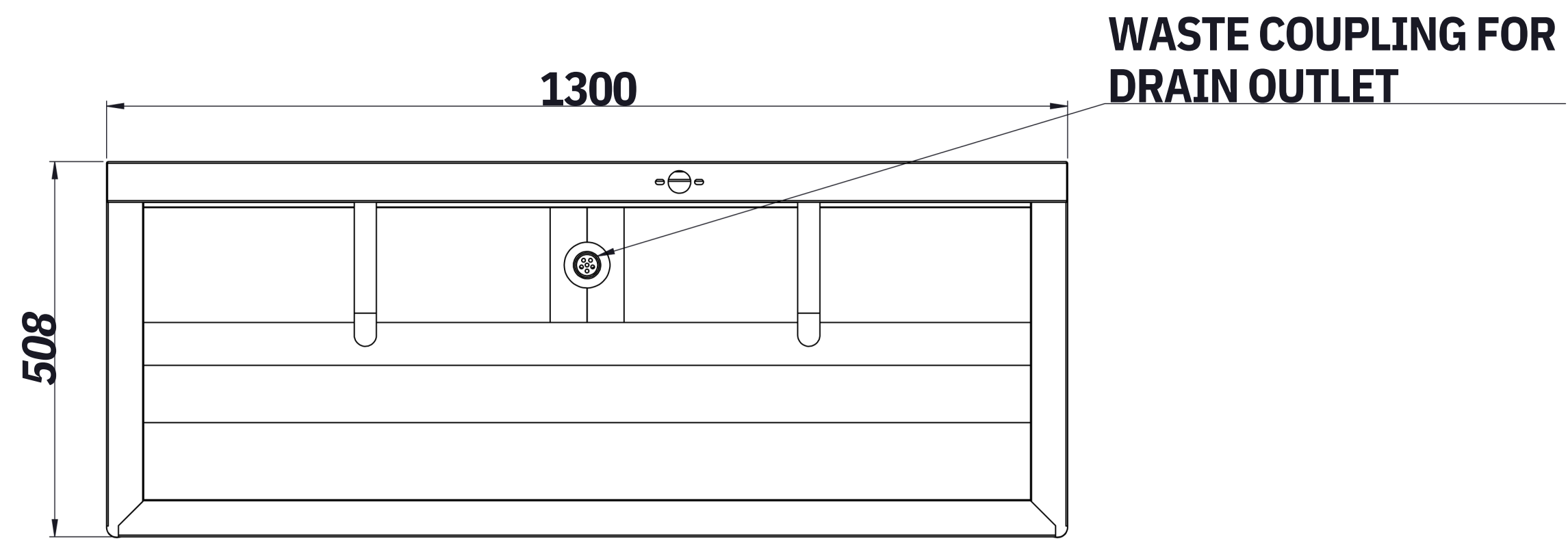
**FRONT VIEW**




**SIDE VIEW**



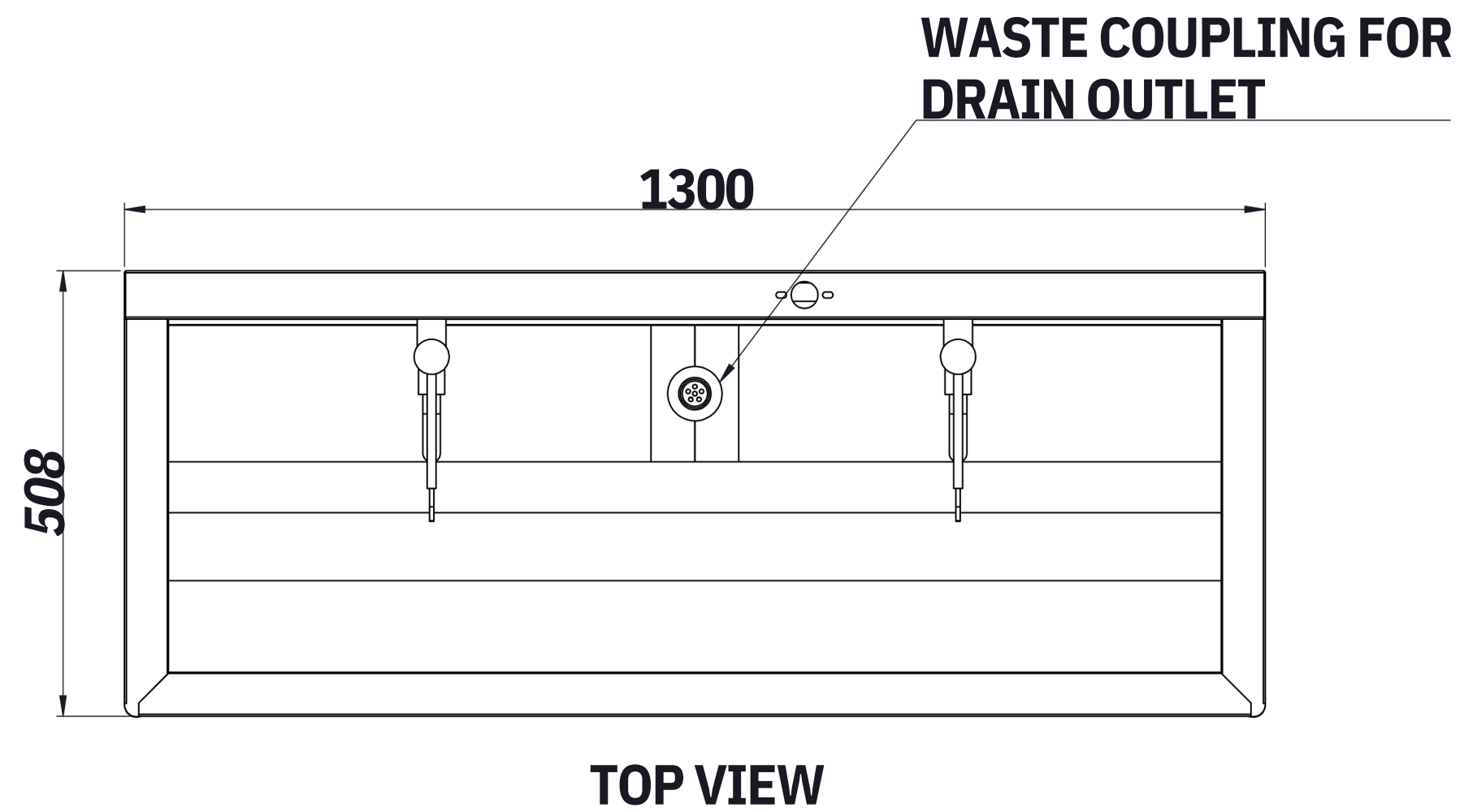
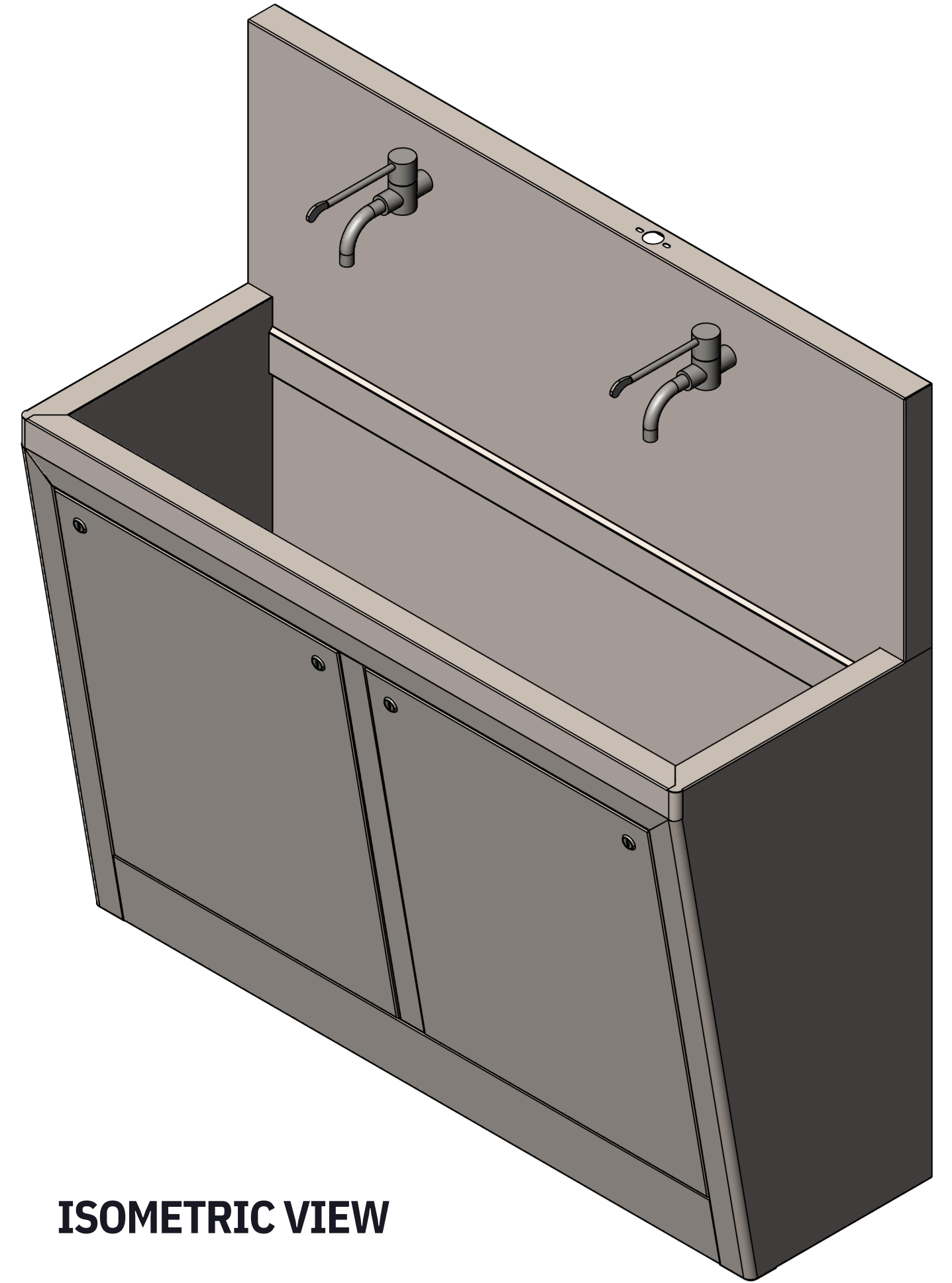
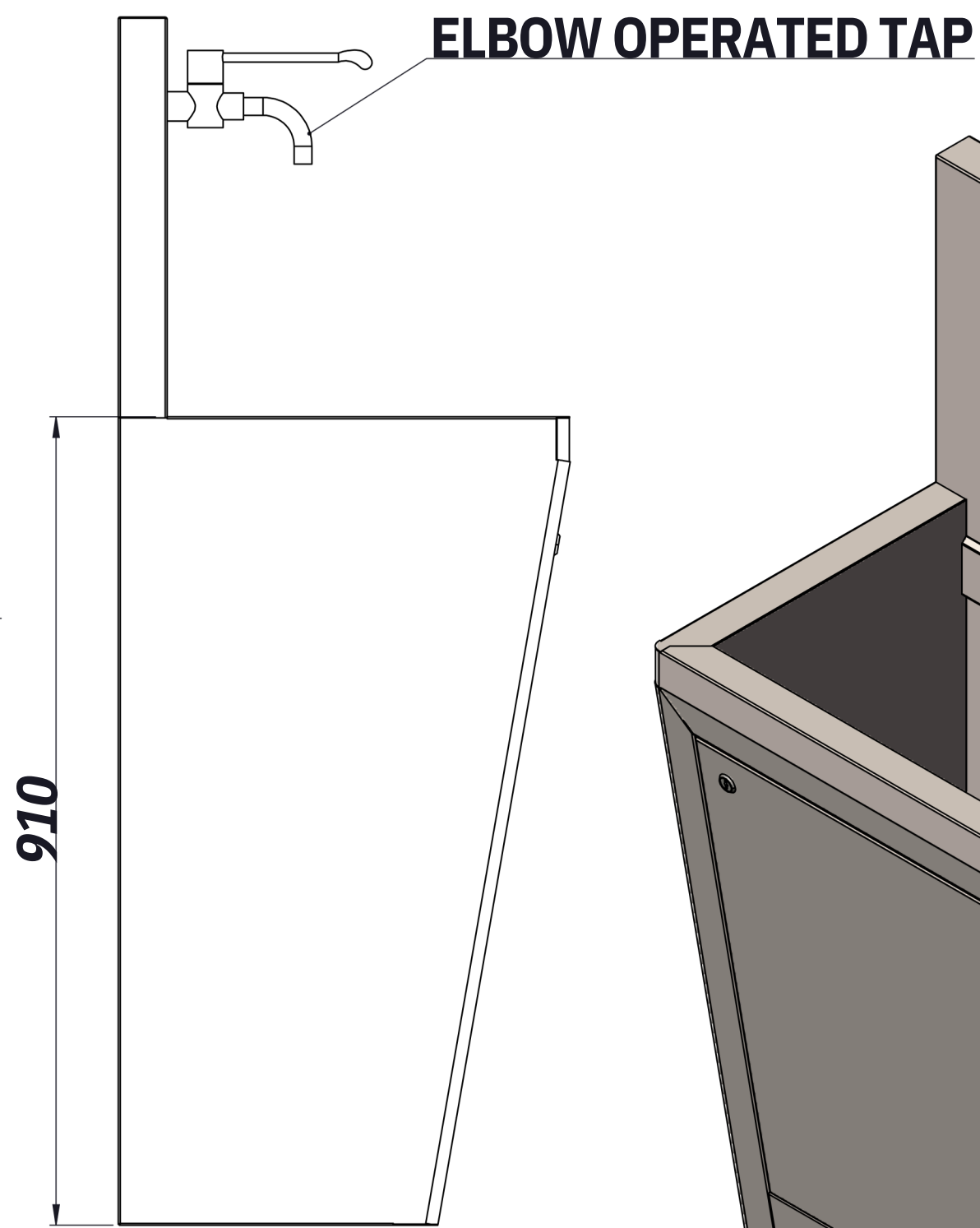
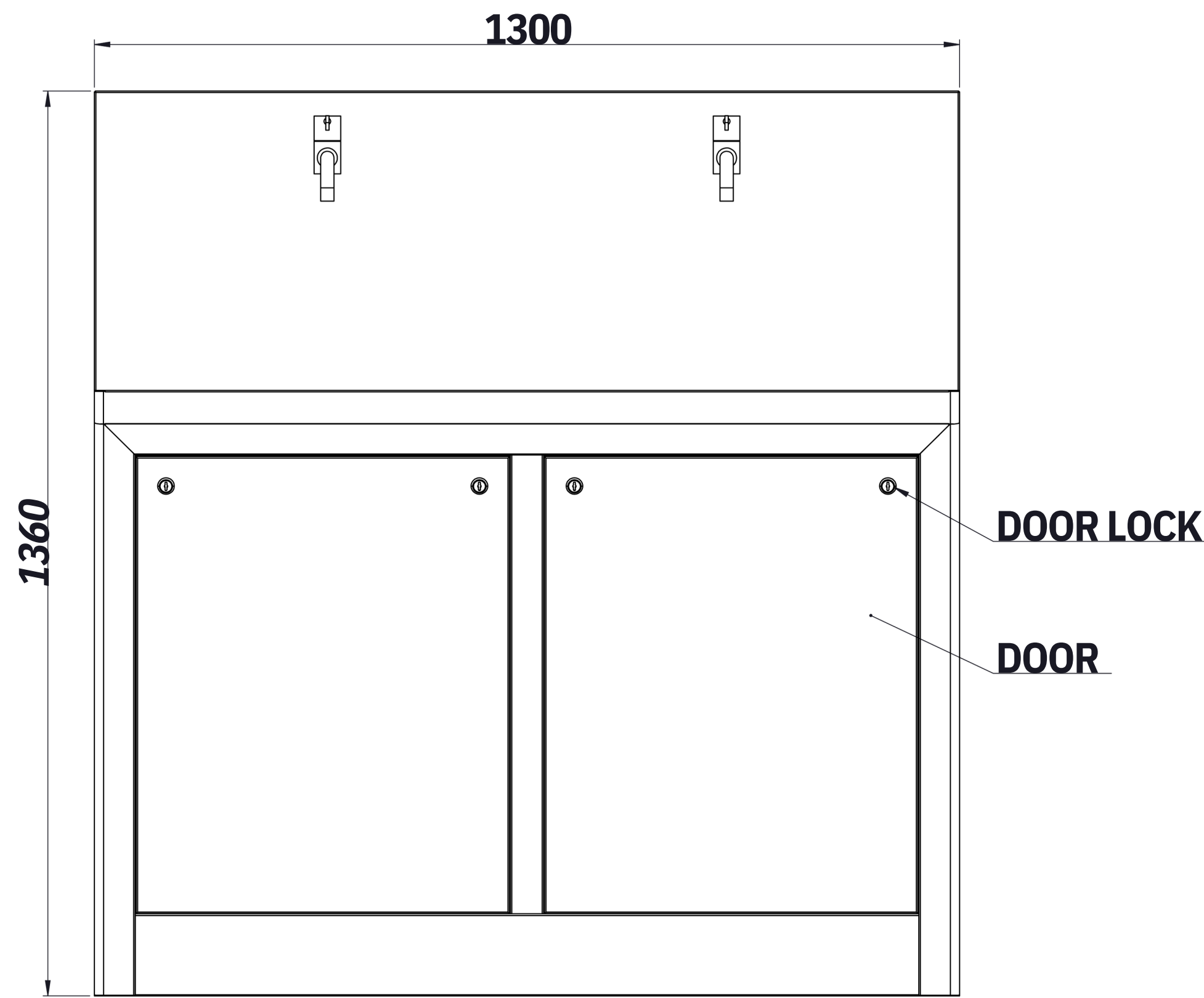
**ISOMETRIC VIEW**


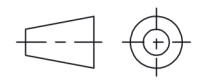


**TOP VIEW**

		<p><b>CMP METAL</b></p>		
DRN	NAME	DATE	MODEL NO.	
CHD	APPD	SCALE	TITLE:	
ALL DIMENSIONS IN MM	FIRST ANGLE PROJECTION		SHEET NO	
DRG.NO:- CMP-602			1 OF 1	REV. 0

SHEET MATERIAL	SS 304
SHEET THICKNESS	18 SWG
FINISH	MATT FINISH



		<b>CMP METAL</b>		
NAME	DATE	MODEL NO.		
DRN	SANJEET	07.06.2021	<b>CMP2SSME-3</b>	
CHD	AJAY	TITLE:		
APPD	SUNIL	2 BAY SCRUB SINK MANUAL ELBOW OPERATE SIZE 1300WX508DX1360H		
SCALE	1:1		SIZE	
ALL DIMENSIONS IN MM				
FIRST ANGLE PROJECTION			DRG.NO:-	SHEET NO
			CMP-603	1 OF 1
				REV.
				0