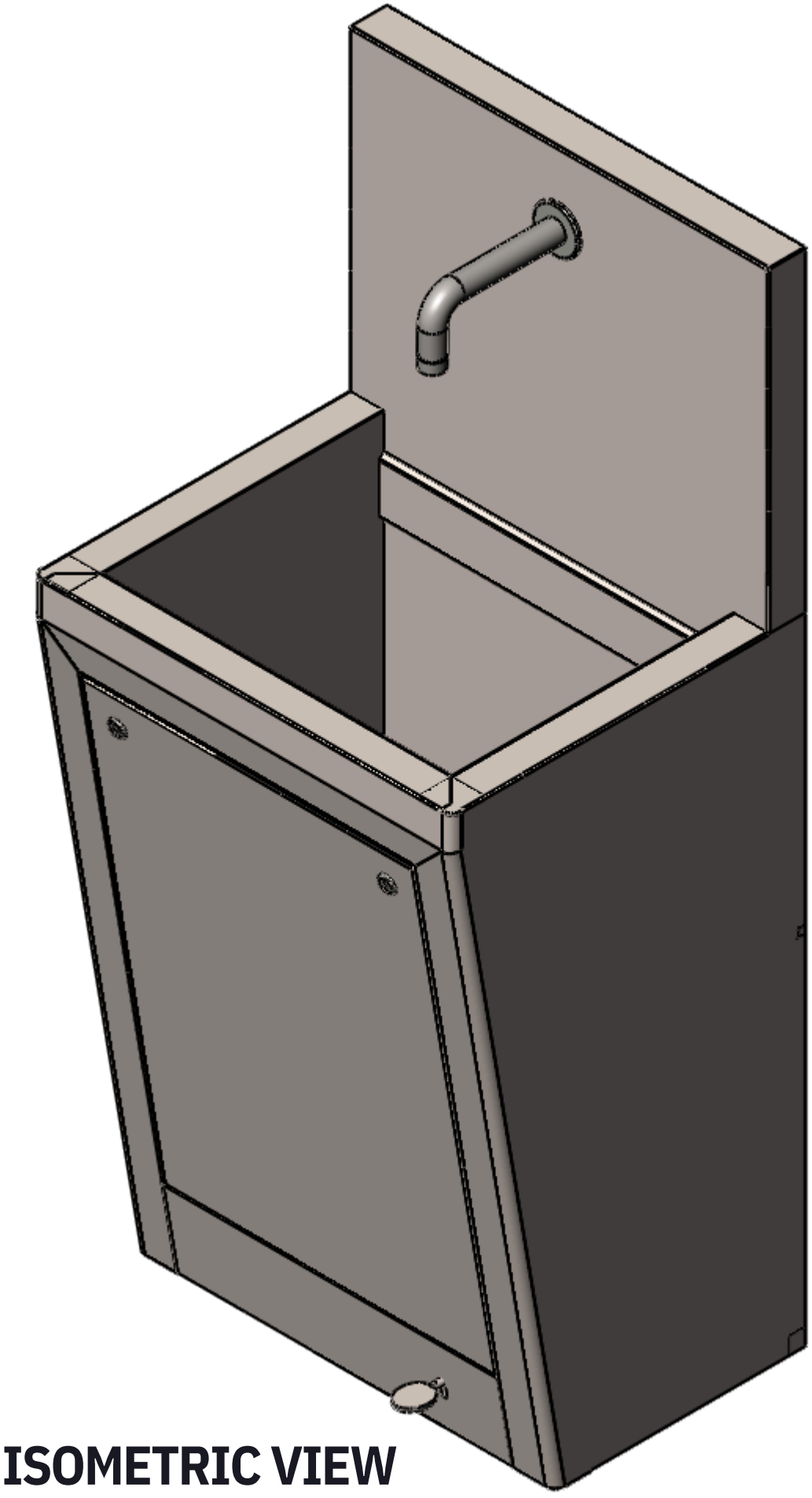
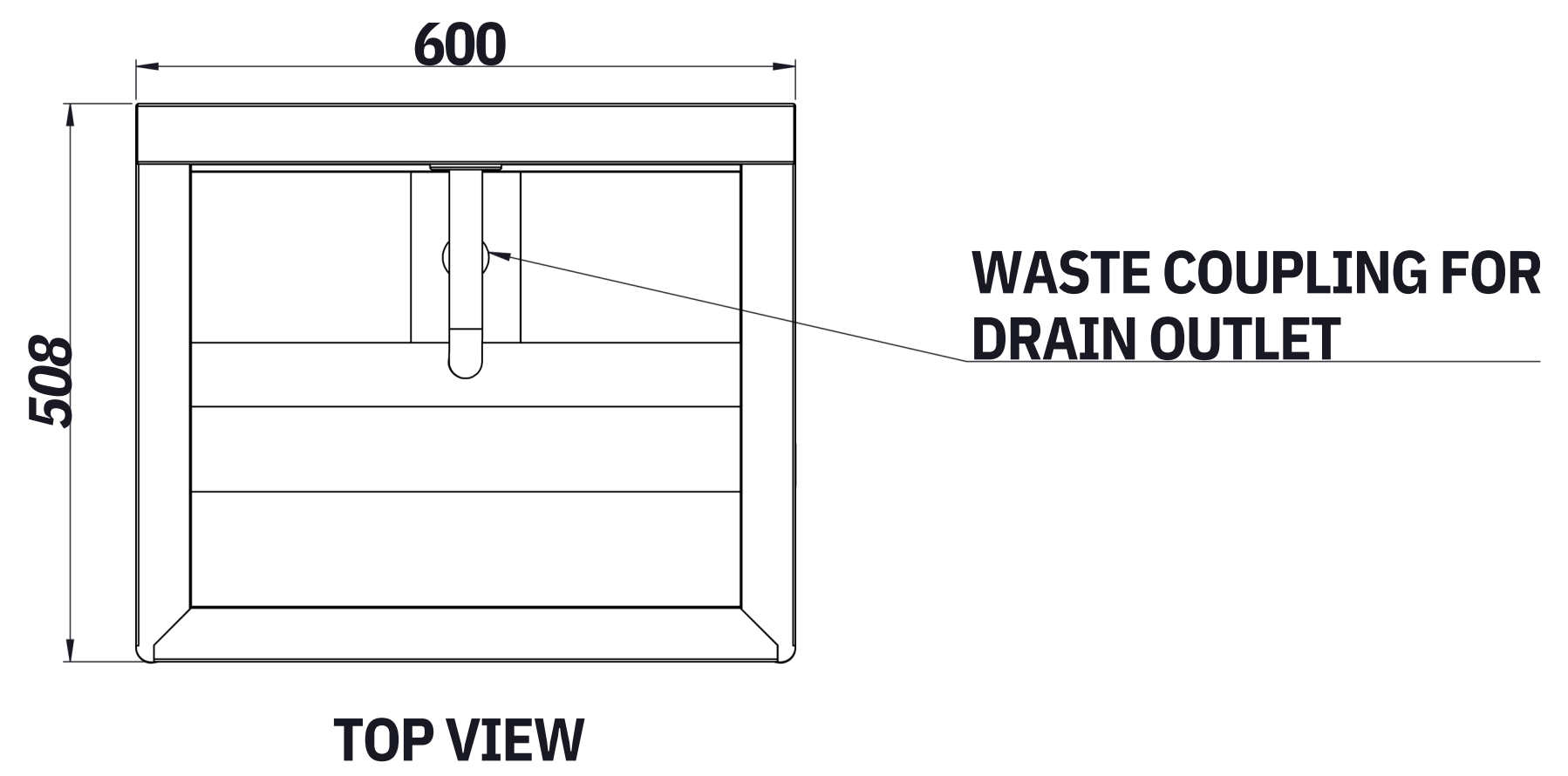
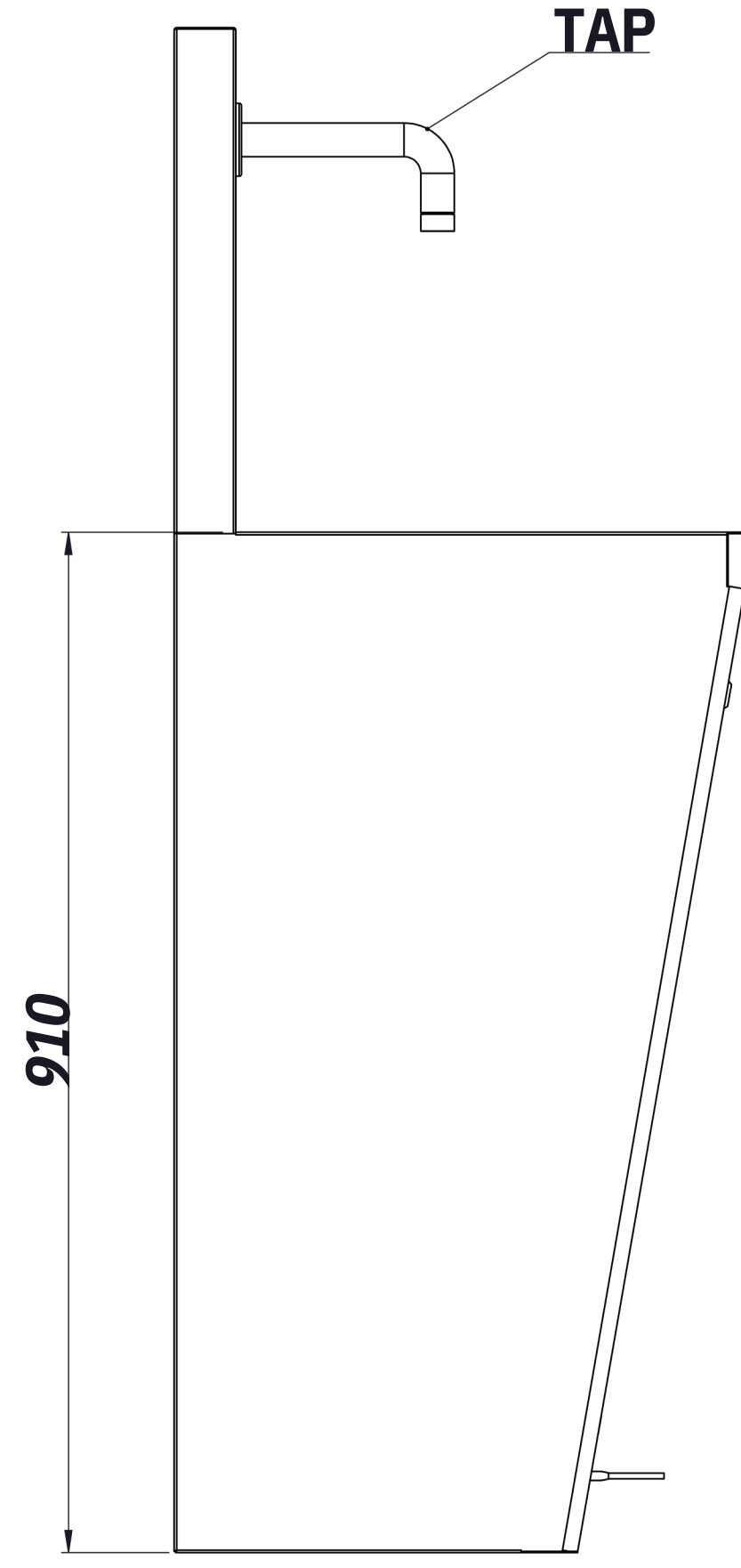
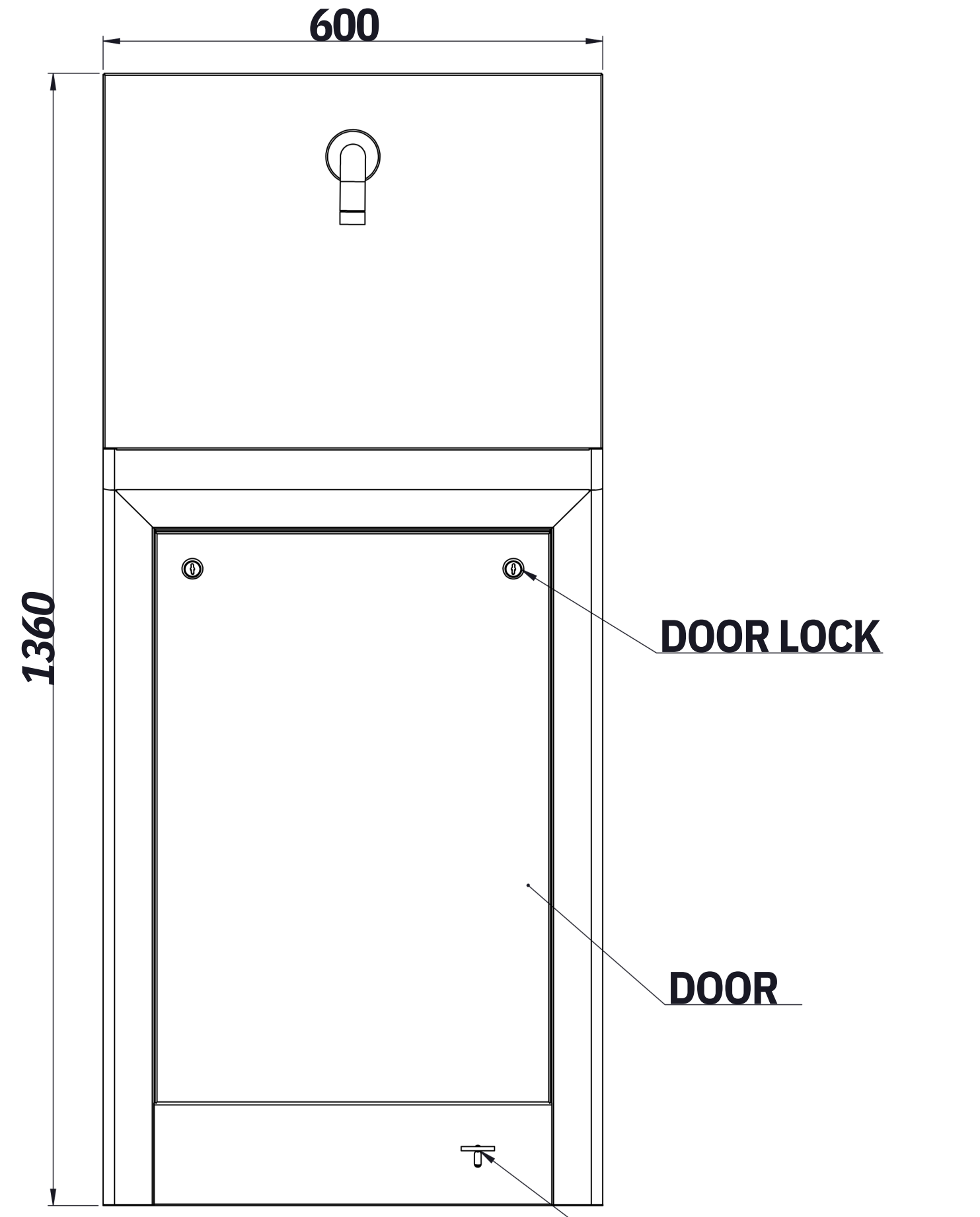

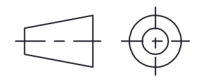
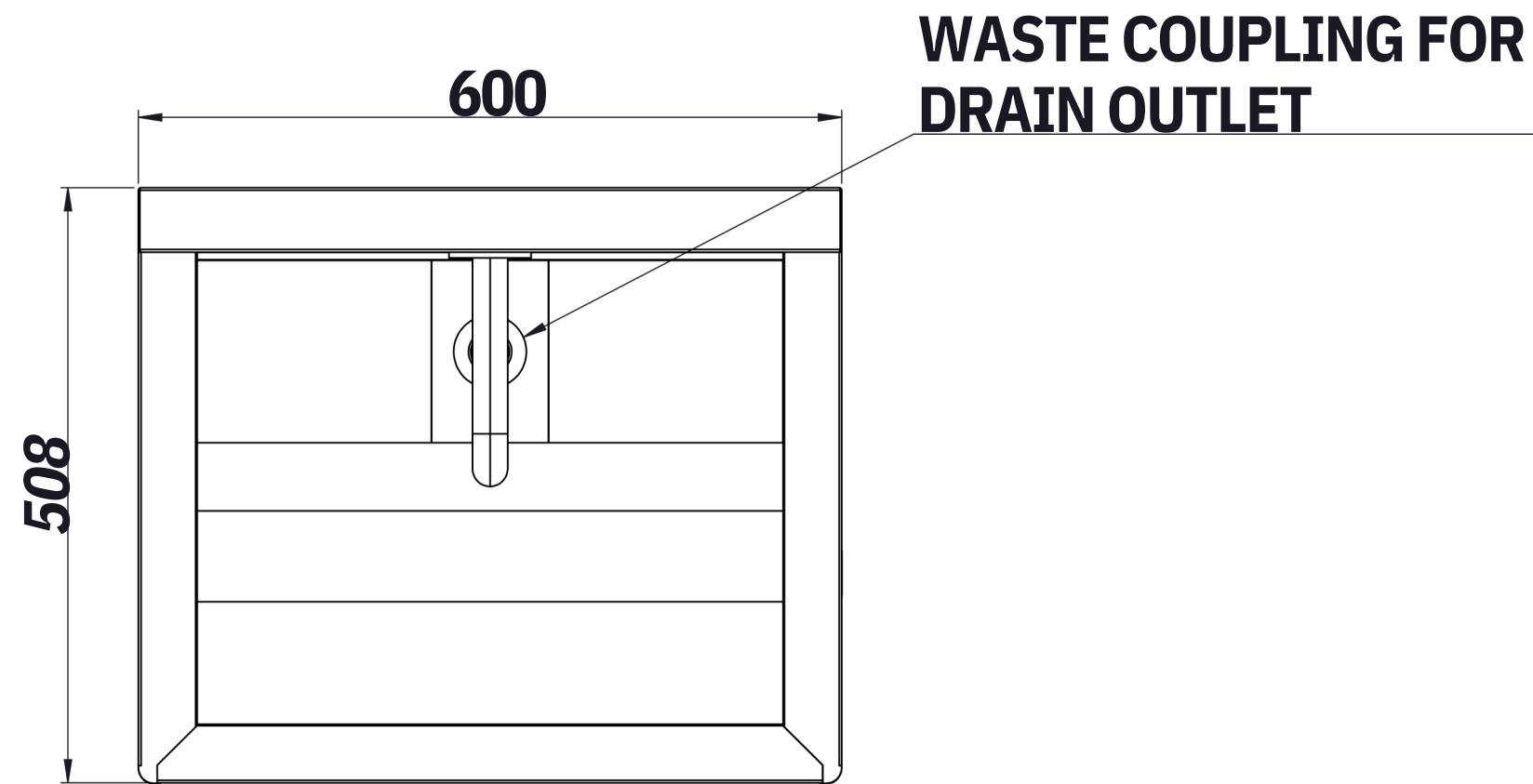
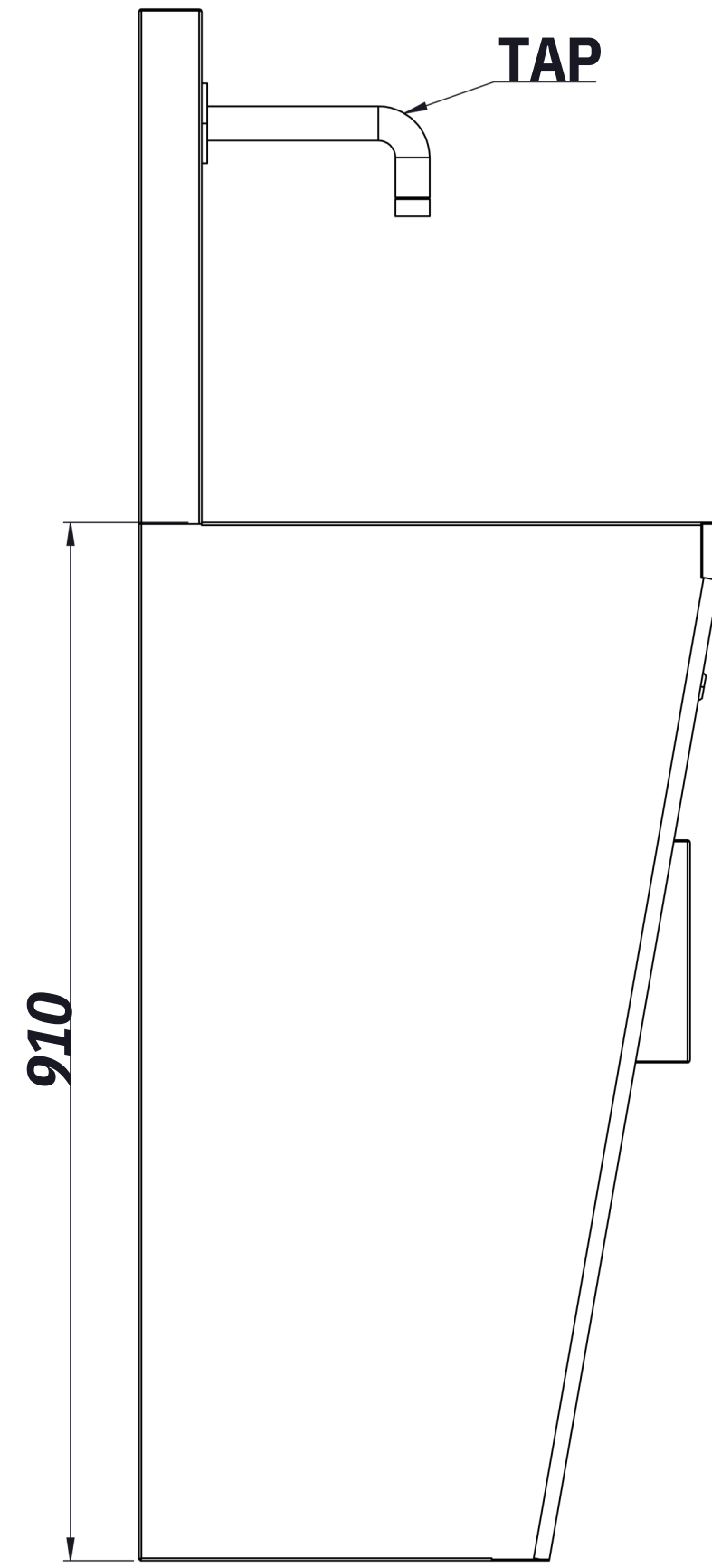
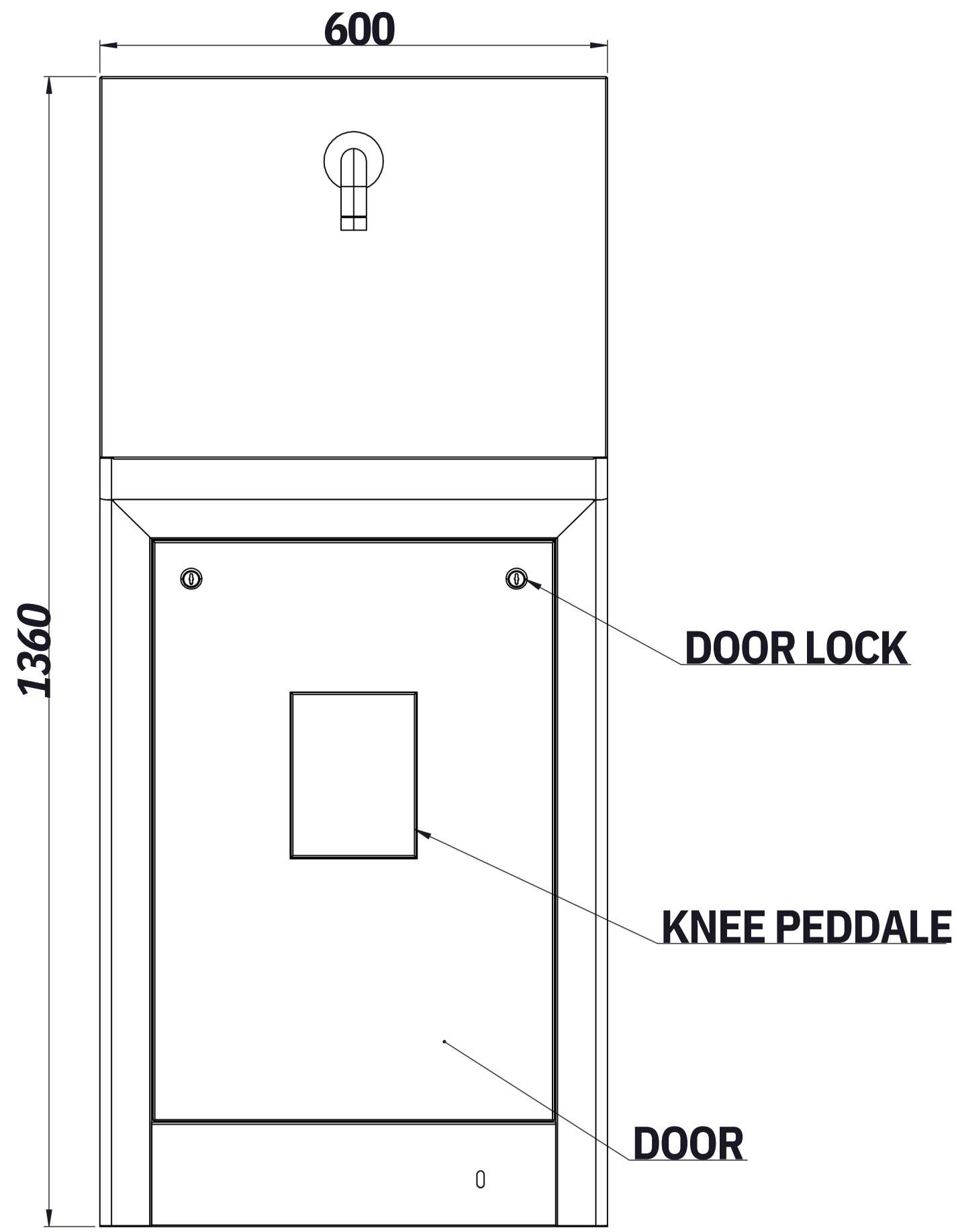


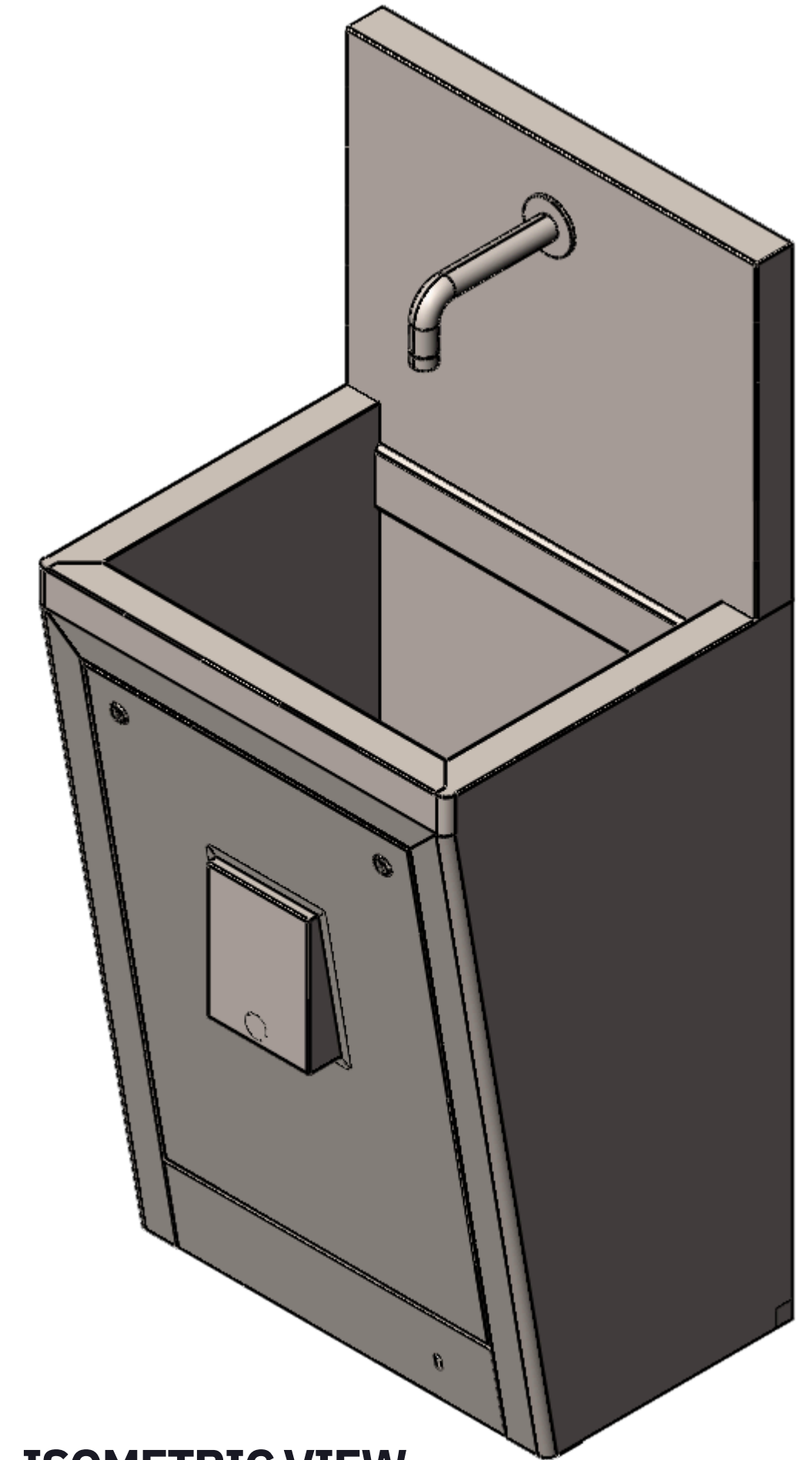
SHEET MATERIAL	SS 304
SHEET THICKNESS	18 SWG
FINISH	MATT FINISH



		<b>CMP METAL</b>		
NAME	DATE	MODEL NO.		
DRN	SANJEET	22.05.2021	<b>CMP1SSMF-1</b>	
CHD	AJAY	TITLE:		
APPD	SUNIL	1BAY SCRUB SINK WITH MANUAL FOOT OPERATE SIZE 600WX508DX1360H		
SCALE	1:1		SIZE	
ALL DIMENSIONS IN MM				
FIRST ANGLE PROJECTION		DRG.NO:-		SHEET NO
		CMP-501		1 OF 1
				REV.
				0

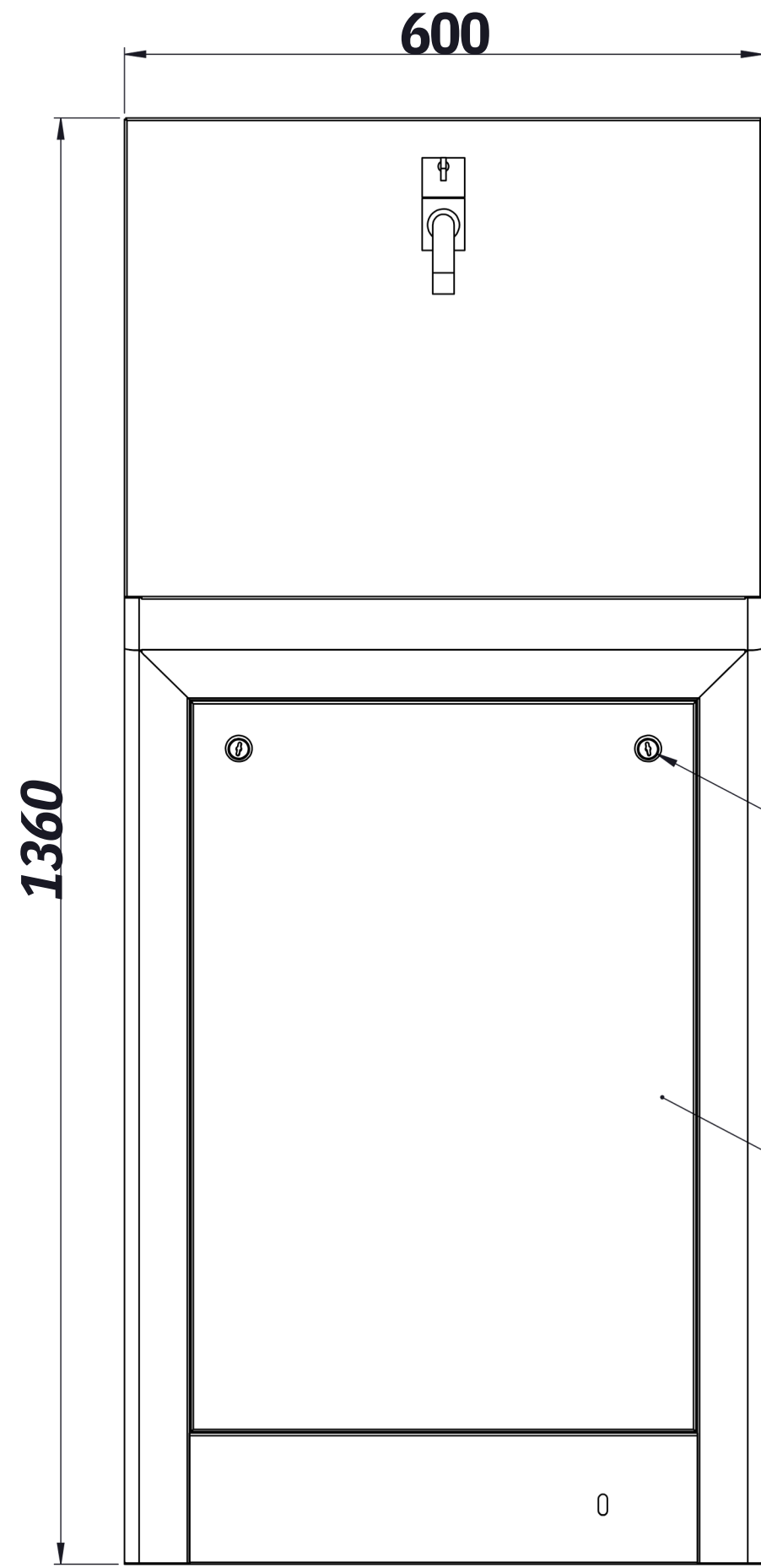


SHEET MATERIAL	SS 304
SHEET THICKNESS	18 SWG
FINISH	MATT FINISH

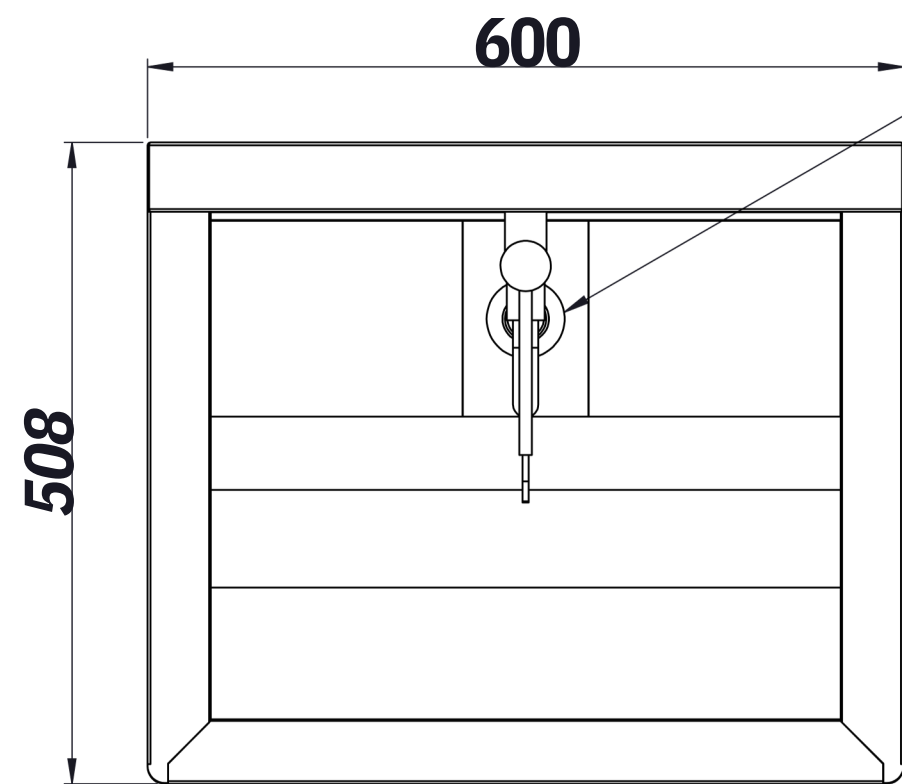


		<b>CMP METAL</b>		
NAME	DATE	MODEL NO.		
DRN	SANJEET	22.05.2021	CMPISSMK-2	
CHD	AJAY		TITLE:	
APPD	SUNIL		1BAY SCRUB SINK WITH MANUAL KNEE OPERATE	
SCALE	1:1		SIZE 600WX508DX1360H	
ALL DIMENSIONS IN MM				
FIRST ANGLE PROJECTION			DRG.NO:-	SIZE
			CMP-502	A2
	SHEET NO	REV.		
	1 OF 1	0		

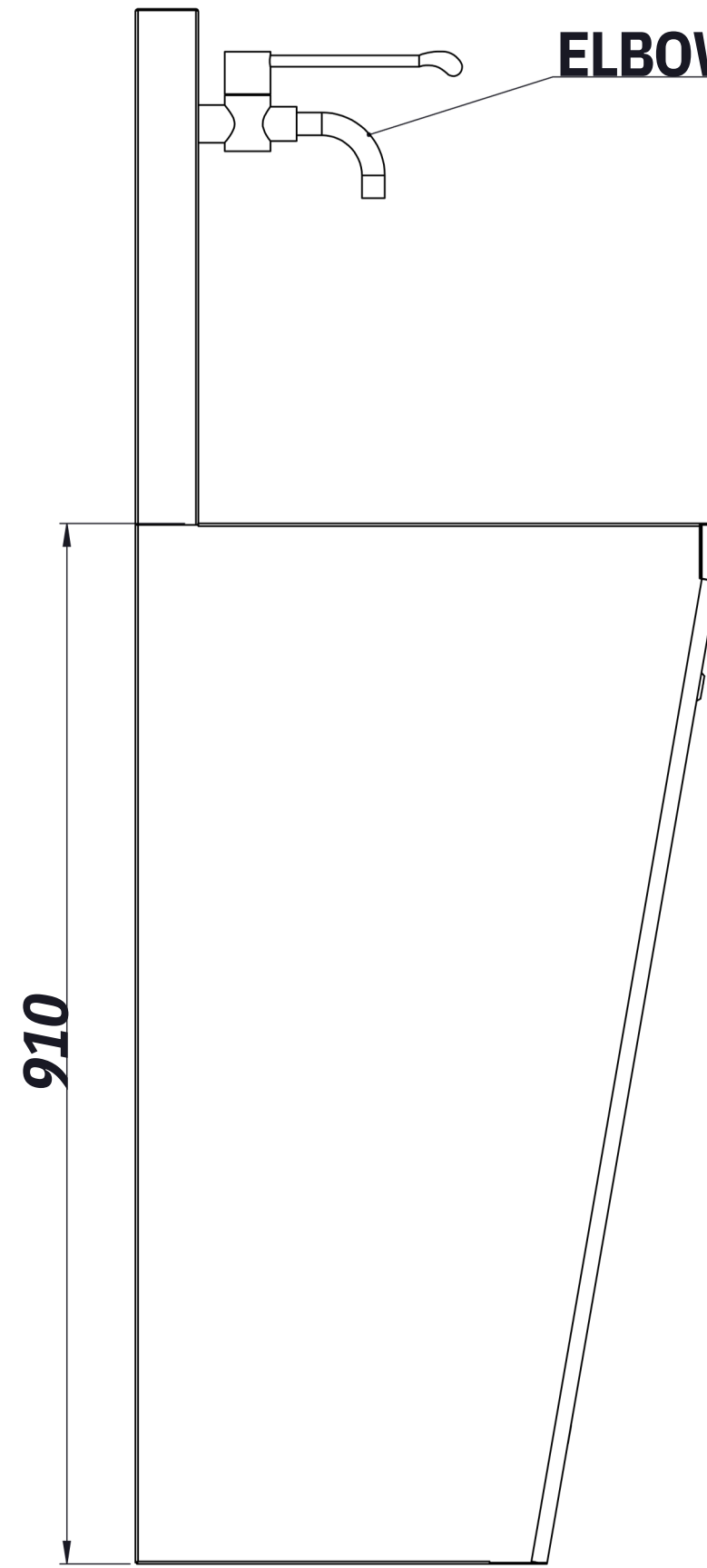
All dimensions are in mm unless otherwise specified



**FRONT VIEW**

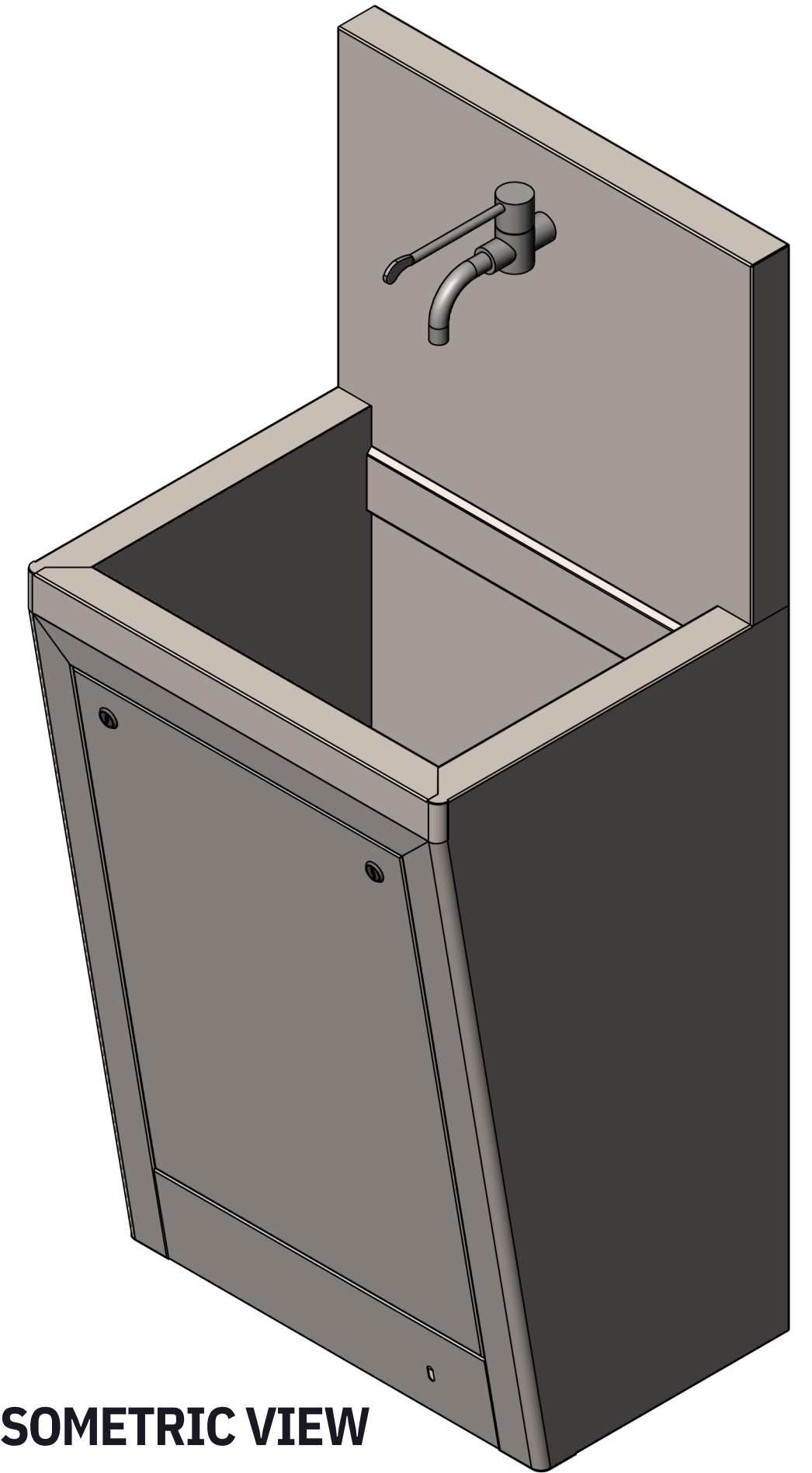


**TOP VIEW**



**SIDE VIEW**

SHEET MATERIAL	SS 304
SHEET THICKNESS	18 SWG
FINISH	MATT FINISH



**ISOMETRIC VIEW**

**WASTE COUPLING FOR DRAIN OUTLET**

**DOOR LOCK**

**DOOR**

**ELBOW OPERATED TAP**

		<b>CMP METAL</b>		
NAME	DATE	MODEL NO.		
DRN	SANJEET	25.05.2021	<b>CMPISSME-3</b>	
CHD	AJAY	TITLE:		
APPD	SUNIL	1BAY SCRUB SINK WITH MANUAL ELBOW OPERATE		
SCALE	1:1	SIZE 600WX508DX1360H		
ALL DIMENSIONS IN MM				
FIRST ANGLE PROJECTION			DRG.NO:-	SIZE
			CMP-503	<b>A2</b>
			SHEET NO	REV.
			1 OF 1	0